

Measuring element

for toothed wheels



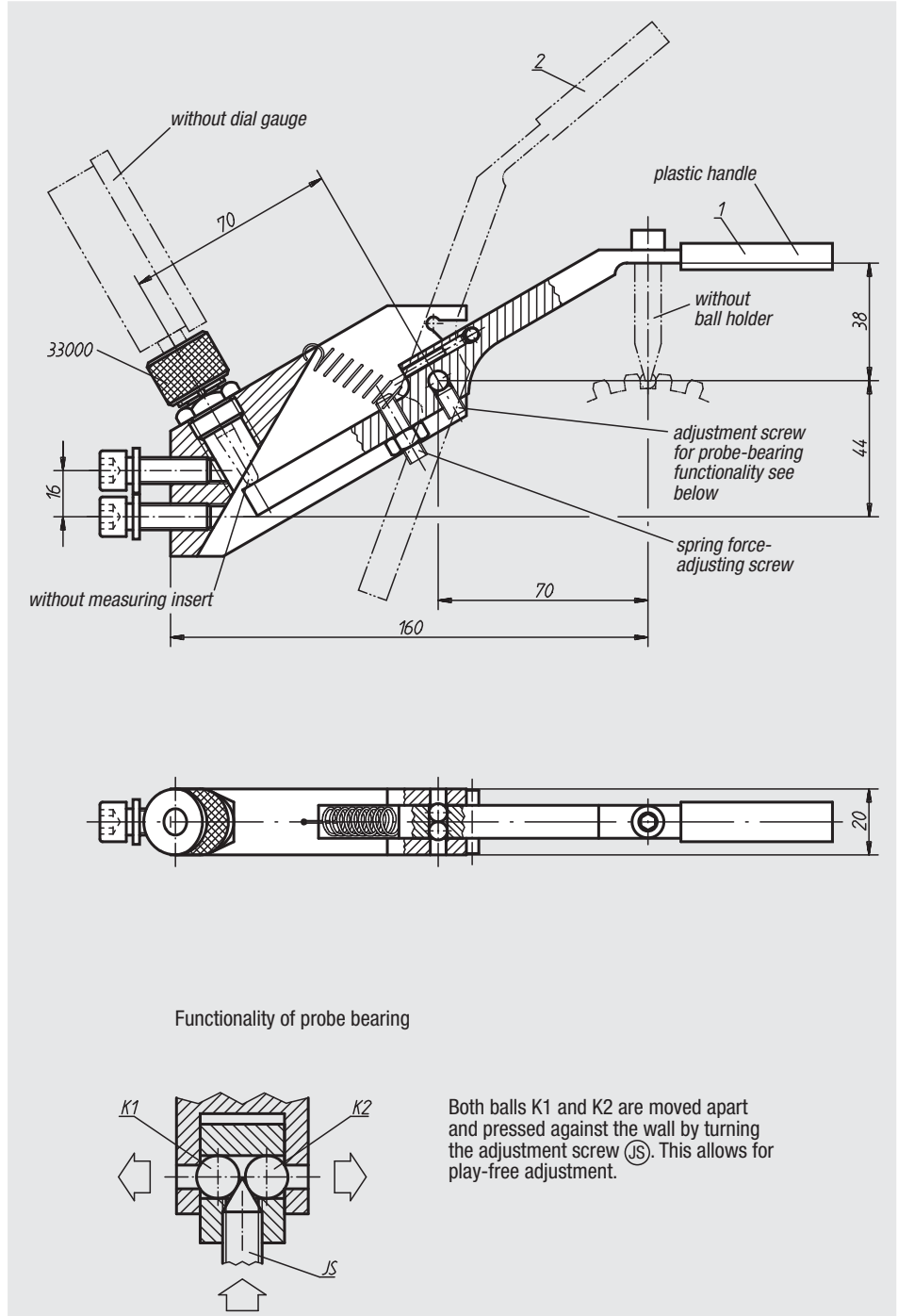
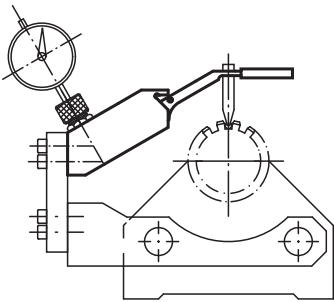
Material:
Steel

Surface finish:
Black oxide finish

Sample order:
nlm 33202-070

Note:
1 = Probe in tactile position
2 = Probe in resting position, engaged.

For suitable ball holder see 32205.
Dial gauges see 32540 and 32542.
Measuring inserts see 33040 up to 33052.



Order No.	Approx. weight kg
33202-070	0,640

24000
26000
27000
28000
29000
31000
32500
33000
95000
96000
97000
A-Z