

Ball holders

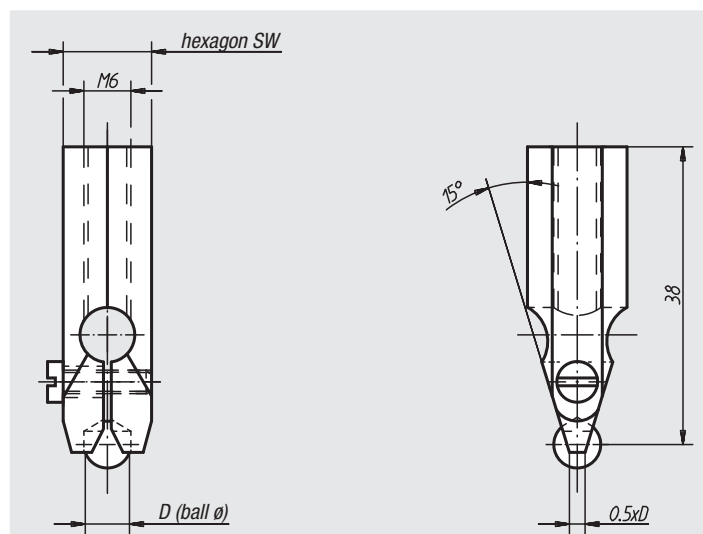


Material:
Spring steel

Surface finish:
Black oxide finish

Sample order:
nlm 33205-03500

Note:
Balls in hard metal available on request.
The ball holders are suitable for measuring
element for toothed wheels 33202.



Order No.	D	SW	Approx. weight g
33205-02000	2	10	14
33205-02380	2,38	10	14
33205-02500	2,5	10	14
33205-03000	3	10	15
33205-03500	3,5	10	15
33205-03960	3,96	10	15
33205-04000	4	10	15
33205-04500	4,5	10	16
33205-04760	4,76	10	16
33205-05000	5	10	16
33205-05560	5,56	10	16
33205-06000	6	10	16
33205-06500	6,5	13	28
33205-07000	7	13	28
33205-07540	7,54	13	29
33205-07938	7,938	13	29
33205-08500	8,5	13	30
33205-09520	9,52	13	32
33205-10000	10	13	32