

Spring clamp

**Material, surface finish:**

Stainless steel, natural finish

Sample order:

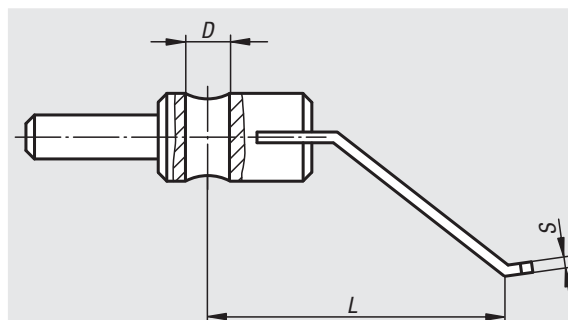


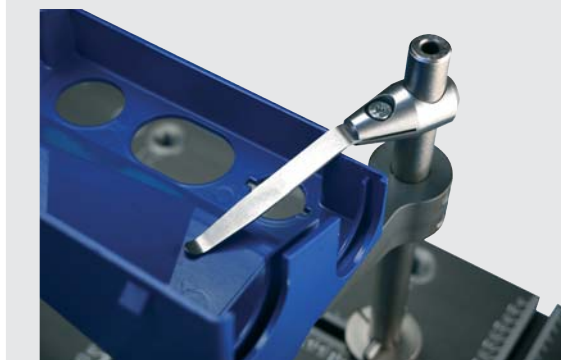

nIm 33260-10605010

Note:

For fixation of small parts on measurement and monitoring plates.

Accessory:

Columns for spring clamp 33262.

Spring clamp, flat Spring clamp with fork Spring clamp round 

Order No.	Surface finish	D	L	S	Approx. weight kg
33260-10403004	flat	4	30	0,4	0,007
33260-10403008	flat	4	30	0,8	0,007
33260-10605010	flat	6	50	1	0,020
33260-10607510	flat	6	75	1	0,022
33260-11207510	flat	12	75	1	0,030
33260-11209510	flat	12	95	1	0,031
33260-21207515	fork	12	75	1,5	0,033
33260-21209515	fork	12	95	1,5	0,036
33260-30404011	round	4	40	1,1	0,005
33260-30406011	round	4	60	1,1	0,006
33260-31208025	round	12	80	2,5	0,032
33260-31208030	round	12	80	3	0,032