

## ACCUSET SB



### 1. DESCRIPTION

The HYDAC accumulator unit ACCUSET SB consists of a bladder accumulator SB, a safety and shut-off block SAF and the appropriate accumulator set SEB. The parts are designed for optimum compatibility and provide a compact, ready-to-install unit.

This space-saving combination simplifies the connection of the accumulator to the hydraulic system, reduces maintenance costs and considerably reduces installation costs.

Advantages:

- Simple and secure mounting of the accumulator at the installation site
- Connection of the accumulator with a hydraulic system via a safety and shut-off block
- Protects the accumulator from excessive pressure
- Discharge of the accumulator to the tank via a pressure release valve
- Separation of the accumulator from the system
- Two additional hydraulic connections on the shut-off block for accessories (e.g. pressure gauge).

### 1.1. STANDARD BLADDER ACCUMULATOR SB330

With a nominal volume of 1 ... 50 litres.

Special accumulators available on request.

See catalogue section:

- Bladder Accumulators Standard No. 3.201

**Please read the Operating Manual! No. 3.201.CE**

### 1.2. SAFETY AND SHUT OFF BLOCK SAF

In nominal sizes 10, 20 and 32, with manual or solenoid-operated/manual discharge and with the direct-operated pressure relief valve DB12 with CE marking, in accordance with the regulations of DIN EN 14359 "Accumulators for hydraulic applications" and the European Pressure Equipment Directive PED 97/23/EC.

See catalogue section:

- Safety and Shut-off Block SAF/DSV No. 3.551

### 1.3. ACCUMULATOR SET SEB

For mounting the bladder accumulator with clamps, back plate, console and rubber support ring.

See catalogue section:

- Supports for Hydraulic Accumulators No. 3.502

### 2. TECHNICAL SPECIFICATIONS

**Design:**

Pressure Equipment Directive PED 97/23/EC <sup>1)</sup>

**Permitted operating pressure:** 330 bar <sup>1)</sup>

**Permitted temperature range:** -10 ... +80 °C (NBR) <sup>1)</sup>

Temperatures exceeding this range (e.g. in the event of an external fire) can result in the accumulator bursting. To prevent this, HYDAC can provide additional temperature fuses and bursting discs.

**Operating medium:**

Hydraulic fluids of types HL, HLP, HFA, HFB, HFC (NBR)

**Pressure limit:**

DB12 set to 330 bar <sup>1)</sup>

**Release valve:**

Operating voltage 24 V DC <sup>1)</sup>

**Fluid connection P:**

see table at point 5.

**Surface:**

Accumulator primed, SAF block phosphate-plated, accumulator set zinc-plated.

See catalogue section:

- HYDAC Accumulator Technology No. 3.000
- Charging and Testing Unit FPU-1 No. 3.501

<sup>1)</sup>others on request

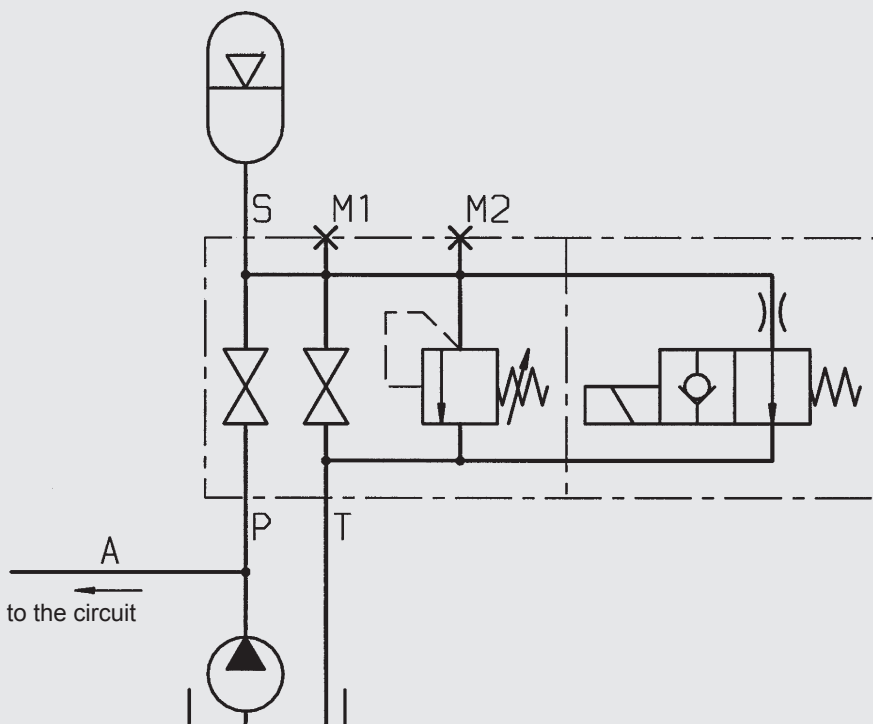
### 3. MODEL CODE

Not all combinations are possible.  
Order example. For further information, please contact HYDAC.

ACCUSET SB 330 - 10 A 1 / 1 1 2 U - 10 Y 1 - 330

- Type of accumulator \_\_\_\_\_  
SB = bladder accumulator
- Accumulator series \_\_\_\_\_
- Nominal volume [l] \_\_\_\_\_
- Fluid connection \_\_\_\_\_  
A = standard connection
- Gas valve \_\_\_\_\_  
1 = standard model
- Material of fluid connection / block \_\_\_\_\_  
1 = carbon steel  
2 = stainless steel
- Shell material \_\_\_\_\_  
1 = carbon steel
- Accumulator bladder/seal material \_\_\_\_\_  
2 = NBR / NBR  
3 = ECO / NBR  
4 = IIR / EPDM  
6 = FKM / FKM
- Certification code \_\_\_\_\_
- SAF block series \_\_\_\_\_
- Type of directional poppet valve \_\_\_\_\_  
M = manual discharge  
Y = solenoid-operated and manual discharge (open when de-energised)  
Z = solenoid-operated and manual discharge (closed when de-energised)
- Type of voltage - directional poppet valve \_\_\_\_\_  
1 = 24 V DC (only on Y or Z model)
- Permitted operating pressure/  
cracking pressure of the pressure relief valve [bar] \_\_\_\_\_

#### Circuit diagram

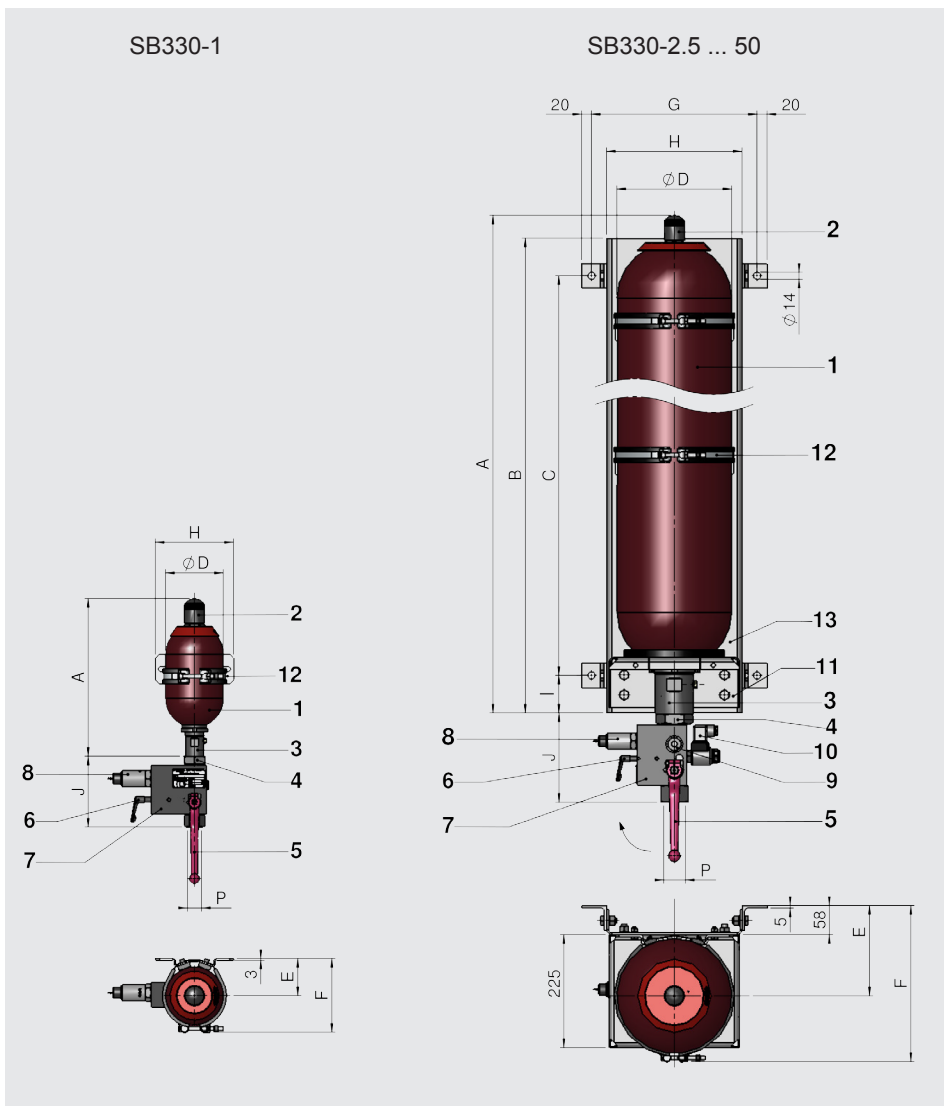


#### 4. PREFERRED MODELS

Designation	Part no.	SB330-1A1/112U-330A	SB330-2.5A1/112U-330A	SB330-4A1/112U-330A	SB330-6A1/112U-330A	SB330-10A1/112U-330A	SB330-13A1/112U-330A	SB330-20A1/112U-330A	SB330-24A1/112U-330A	SB330-32A1/112U-330A	SB330-50A1/112U-330A	SAF10M12T330A	SAF10E12Y1T330A	SAF20M12T330A	SAF20E12Y1T330A	SAF32M12T330A	SAF32E12Y1T330A
ACCUSET SB330-1A1/112U-10M-330	3033471	●										●					
ACCUSET SB330-1A1/112U-10Y1-330	3033472	●											●				
ACCUSET SB330-2.5A1/112U-10M-330	3033473		●									●					
ACCUSET SB330-2.5A1/112U-10Y1-330	3033474		●										●				
ACCUSET SB330-4A1/112U-10M-330	3033475			●								●					
ACCUSET SB330-4A1/112U-10Y1-330	3033476			●									●				
ACCUSET SB330-6A1/112U-10M-330	3033477				●							●					
ACCUSET SB330-6A1/112U-10Y1-330	3033478				●								●				
ACCUSET SB330-10A1/112U-10M-330	3033479					●						●					
ACCUSET SB330-10A1/112U-10Y1-330	3033480					●							●				
ACCUSET SB330-13A1/112U-10M-330	3033481						●					●					
ACCUSET SB330-13A1/112U-10Y1-330	3033482						●						●				
ACCUSET SB330-13A1/112U-20M-330	3033483						●							●			
ACCUSET SB330-13A1/112U-20Y1-330	3033484						●								●		
ACCUSET SB330-20A1/112U-20M-330	3033485							●						●			
ACCUSET SB330-20A1/112U-20Y1-330	3033486							●							●		
ACCUSET SB330-24A1/112U-20M-330	3033487								●					●			
ACCUSET SB330-24A1/112U-20Y1-330	3033488								●						●		
ACCUSET SB330-32A1/112U-20M-330	3033489									●				●			
ACCUSET SB330-32A1/112U-20Y1-330	3033490									●					●		
ACCUSET SB330-32A1/112U-32M-330	3033491									●						●	
ACCUSET SB330-32A1/112U-32Y1-330	3033492									●							●
ACCUSET SB330-50A1/112U-20M-330	3033493										●			●			
ACCUSET SB330-50A1/112U-20Y1-330	3033494										●				●		
ACCUSET SB330-50A1/112U-32M-330	3033495										●					●	
ACCUSET SB330-50A1/112U-32Y1-330	3033496										●						●

Other combinations and models available on request.

## 5. DIMENSIONS



Bladder accumulator	A <sub>max</sub> [mm]	B [mm]	C [mm]	ØD [mm]	E [mm]	F [mm]	G [mm]	H [mm]	I [mm]
SB330-1 <sup>1)</sup>	302	–	–	118	74	147	–	156	–
SB330-2.5 <sup>2)</sup>	571	460	310		133	214	198	138	75
SB330-4	440	415	320	173	152	253	330	270	75
SB330-6	560	570	420						
SB330-10	568			229	180	317			
SB330-13	686								
SB330-20	896	1340	1190						
SB330-24	1062								
SB330-32	1411								
SB330-50	1931								

<sup>1)</sup> without back plate and console, with one HyRac clamp 110-118/124 H10 ST

<sup>2)</sup> without console, with back plate and two HyRac clamps 110-110/124 H10 ST

SAF series	Nominal size SB330 [l]	P ISO 228	Connection for pressure gauge Pos. 9	J [mm]
SAF10	1	G 1/2	2 x G 1/4	142
	2.5			104
	4			113
	6			102
	> 10			147
SAF20	2.5	G 1	G 1/4, G 1/2	135
	4			142
	6			132
	> 10			178
SAF32	> 10	G 1 1/2		203

Description	Item
Accumulator shell	1
Gas valve	2
Oil valve	3
Adapter S	4
Switching handle	5
Release spindle	6
SAF safety block	7
Pressure relief valve	8
Connection for pressure gauge	9
Release valve	10
Console	11
HyRac clamp	12
Back plate	13

## 6. NOTE

The information in this brochure relates to the operating conditions and applications described.

For applications and operating conditions not described, please contact the relevant technical department.

Subject to technical modifications.