

Apparatuses swivel and fixed castors

standard version



Material:

Housing in sheet steel; wheels in standard solid rubber tyre, rim in polyamide

Surface finish:

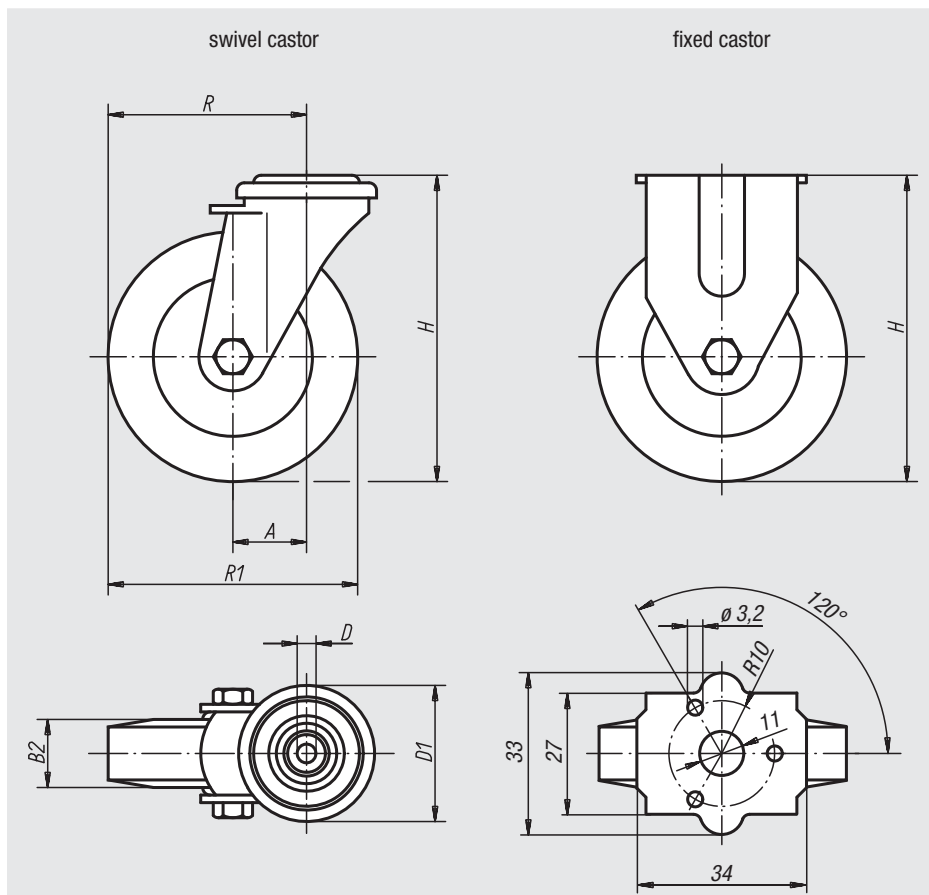
Pressed housing; swivel castor housing with double ball bearing in the swivel head; wheels with slide bearing

Sample order:

nIm 95010-07525

Note:

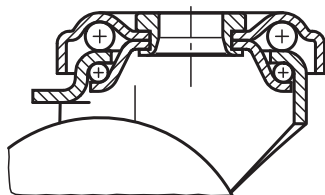
Wheel axle screwed. Swivel and fixed castor with bolt hole. Wheels grey, non-marking.



wheel and swivel head brake „stop-fix“



swivel head bearing:



Order No. swivel castor	Order No. fixed castor	Order No. swivel castor with „stop-fix“	Wheel bearing	A	B2	D	D1	H	R	R1	Permissible load kg
95010-05018	95010-050181	95010-050182	slide bearing	25/-	18	11/-	43/-	69	50/-	50	40
95010-07525	95010-075251	95010-075252	slide bearing	28/-	25	11/-	43/-	98	65,5/-	75	60
95010-10025	-	95010-100252	slide bearing	33	25	11	43	121	83	100	70