

95057

Guide rollers

**Material:**

Tread in Extrathane, hardness 92° shore A

Sample order:

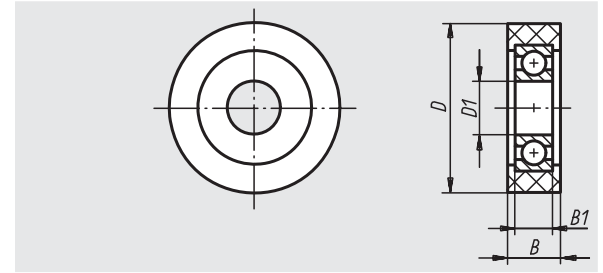
nlm 95057-05015

Note:

The tread is firmly bonded onto a ball bearing. These wheels are characterised by particularly high rebound resilience with long endurance times as well as high cut and tear propagation resistance. They are also abrasion-resistant, non-staining, floor-saving, elastic and have a low-noise rolling performance as well as a low rolling resistance.

Application area: conveyer belts, doors, etc.

Other sizes on request.



Order No.	Wheel bearing	B	B1	D	D1	Permissible load kg	Approx. weight kg
95057-03008	ball bearing	8	6	30	6	15	0,010
95057-03514	ball bearing	14	8	35	12	30	0,030
95057-04020	ball bearing	20	9	40	10	35	0,050
95057-05015	ball bearing	15	9	50	10	45	0,050
95057-06020	ball bearing	20	12	60	17	70	0,110
95057-07020	ball bearing	20	15	70	25	95	0,172

95058

Aluminium wheels

with injection-moulded tread

**Material:**

Wheel body in die cast aluminium; tread in Extrathane

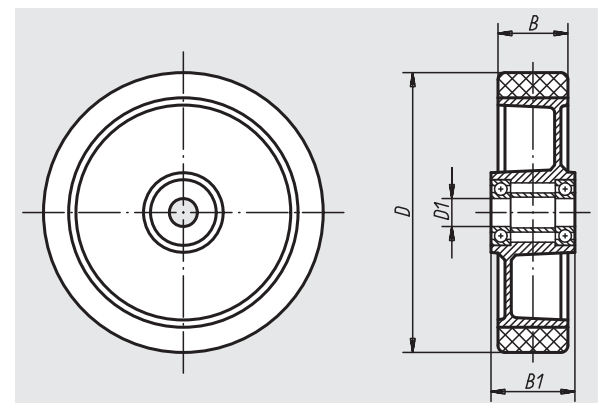
Sample order:

nlm 95058-12540

Note:

These wheels are elastic, abrasion-resistant, floor-saving and have a low-noise rolling performance as well as a low rolling resistance.

Wheels are suitable for 95028.



Order No.	Wheel bearing	B	B1	D	D1	Permissible load kg	Approx. weight kg
95058-10040	ball bearing	40	45	100	15	250	0,500
95058-12540	ball bearing	40	45	125	15	350	0,600
95058-16050	ball bearing	50	60	160	20	550	1,100
95058-18050	ball bearing	50	60	180	20	600	1,430
95058-20050	ball bearing	50	60	200	20	800	1,500