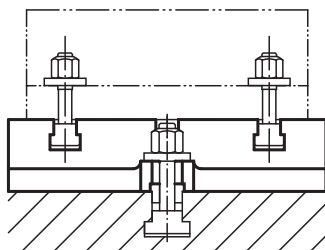
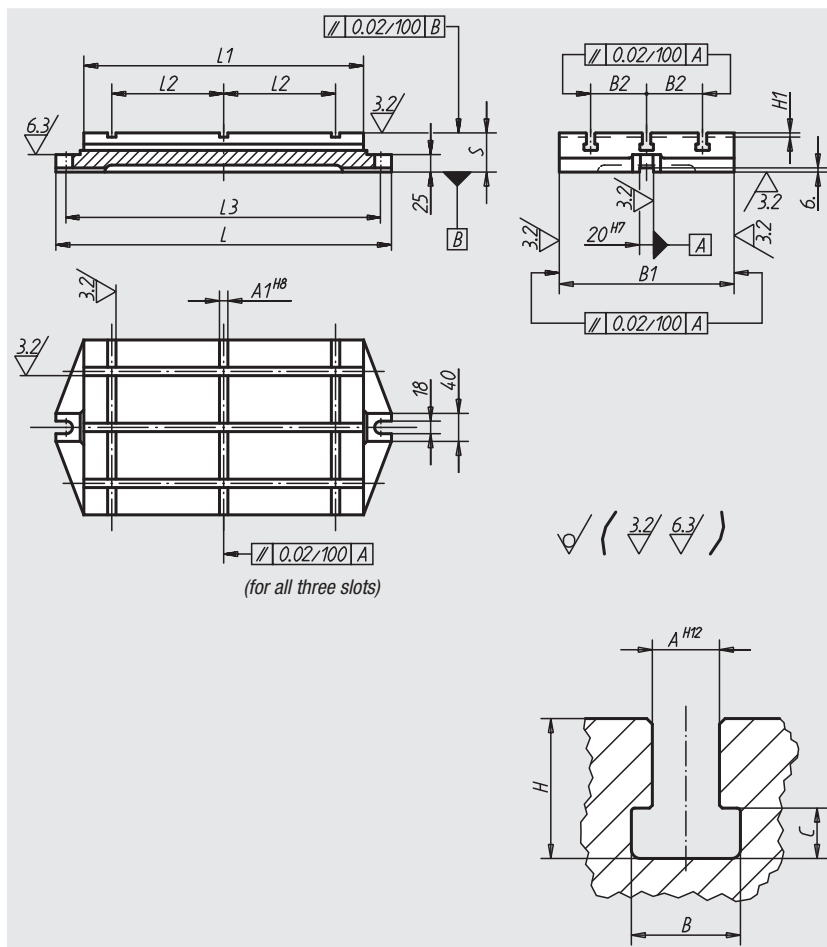


Cast-iron base with T-slots



Material:
Stabilised GJL 250 grey cast iron

Sample order:
nlm 01040-04



Order No.	L	L1	L2	L3	B1	B2	H1	S	A1	A	B	C	H	Approx. weight kg
01040-01	280	200	70	250	125	40	4	50	6	10	16,5	7	21	8,000
01040-02	330	250	100	300	160	50	4	50	8	10	16,5	7	21	12,300
01040-03	395	315	125	365	200	63	4	56	10	12	19,5	8	25	21,000
01040-04	480	400	160	450	250	80	6	56	12	12	19,5	8	25	33,000
01040-05	580	500	220	550	315	100	6	63	14	14	23	9	28	58,500
01040-06	710	630	280	680	400	125	6	63	18	14	23	9	28	93,800