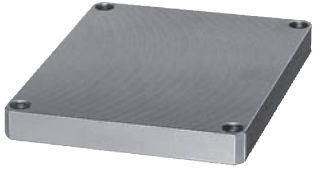


# Steel base plates

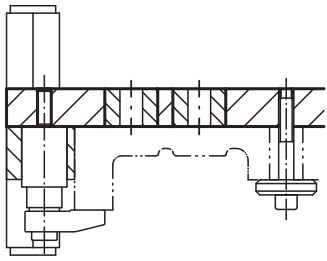
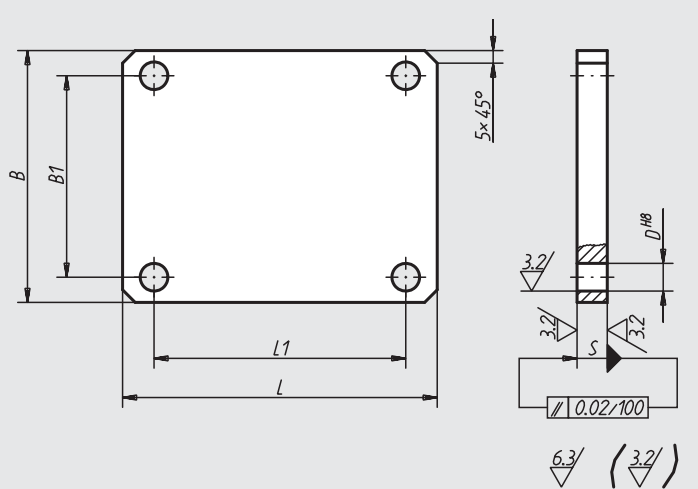


**Material:**  
Tempered steel 1.1181

**Surface finish:**  
Natural finish

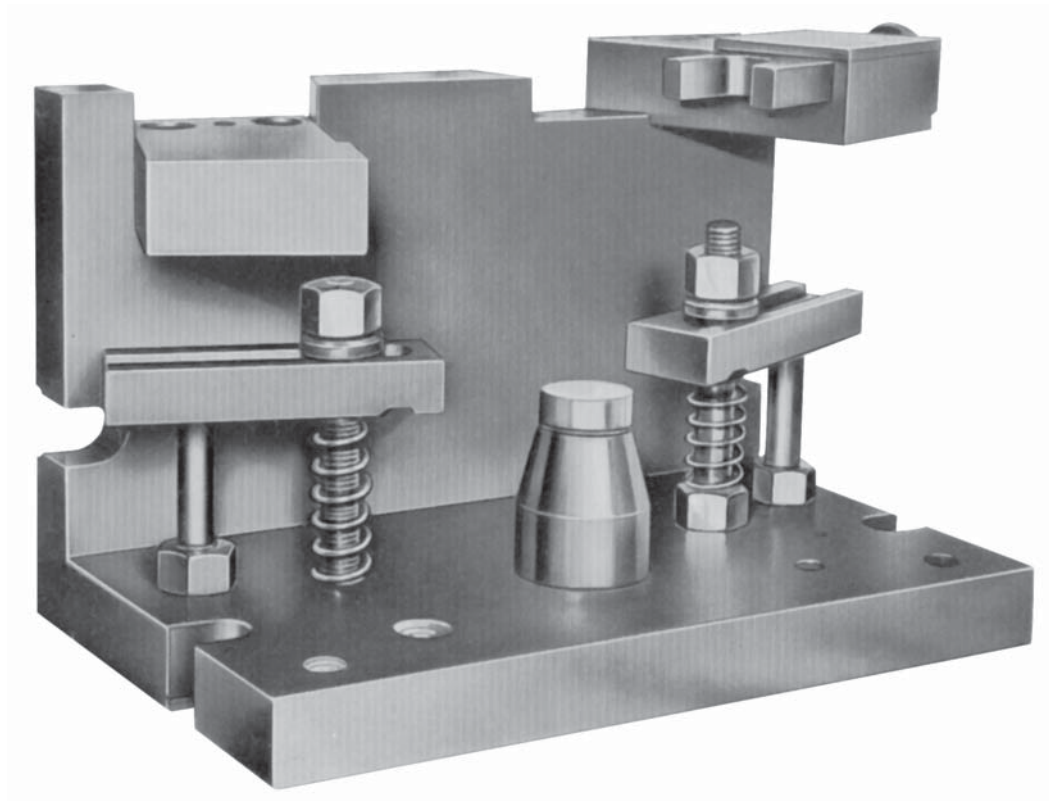
**Sample order:**  
nlm 01060-01

machined surfaces:  
±0.25 mm  
thickness: +0/-0.5 mm  
raw surfaces:  
±2 mm



Order No.	L	L1	B	B1	S	D	Approx. weight kg
01060-01	125	100	100	80	12	11	1,200
01060-02	160	140	125	100	16	11	2,500
01060-03	200	180	160	140	20	13	4,900
01060-04	250	220	200	180	20	13	7,800
01060-05	315	280	250	220	20	13	12,300

## Application: jig using norelem parts



01000  
02000  
03000  
04000  
05000  
06000  
07000  
08000  
09000  
20000  
21000  
22000  
23000