

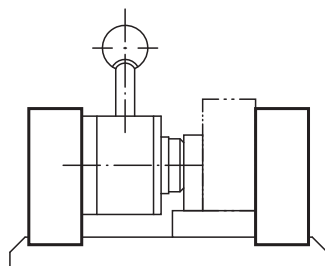
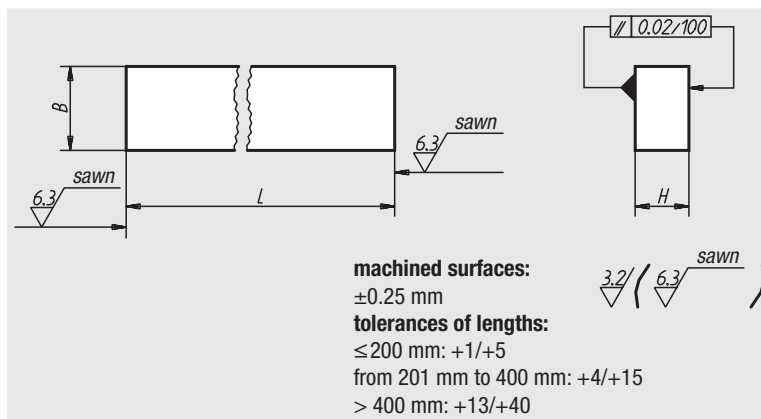
Rectangular block

grey cast iron or aluminium



Material:
Stabilised GJL 250 grey cast iron or EN AW-7075

Sample order:
nlm 01160-05X300 (please also indicate dimension L)



Order No. grey cast iron	Order No. Aluminium	L = length	B	H
01160-02X	01160-202X	300	32	20
01160-03X	01160-203X	300	40	25
01160-04X	01160-204X	300/600/800	50	32
01160-05X	01160-205X	300/600/800	63	40
01160-06X	01160-206X	300/600/1000	80	50
01160-07X	01160-207X	300/600/1000	100	63
01160-08X	01160-208X	300/600	125	80

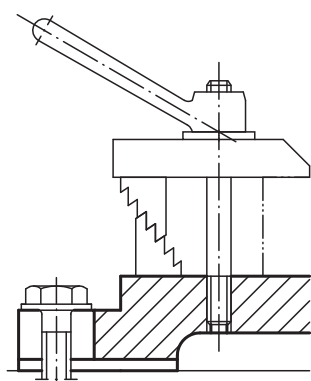
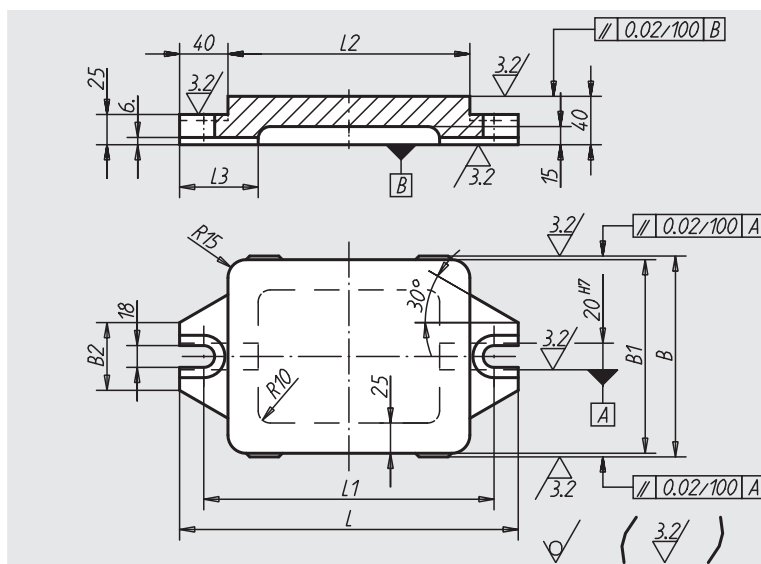
Cast-iron hollowed base

grey cast iron



Material:
Stabilised GJL 250 grey cast iron

Sample order:
nlm 01180-03



Order No.	L	L1	L2	L3	B	B1	B2	Approx. weight kg
01180-01	240	200	160	65	166	160	56	7,0
01180-02	280	240	200	65	166	160	56	8,4
01180-03	330	290	250	70	206	200	74	12,5
01180-04	395	355	315	75	256	250	74	18,6