

Double angle plates

grey cast iron

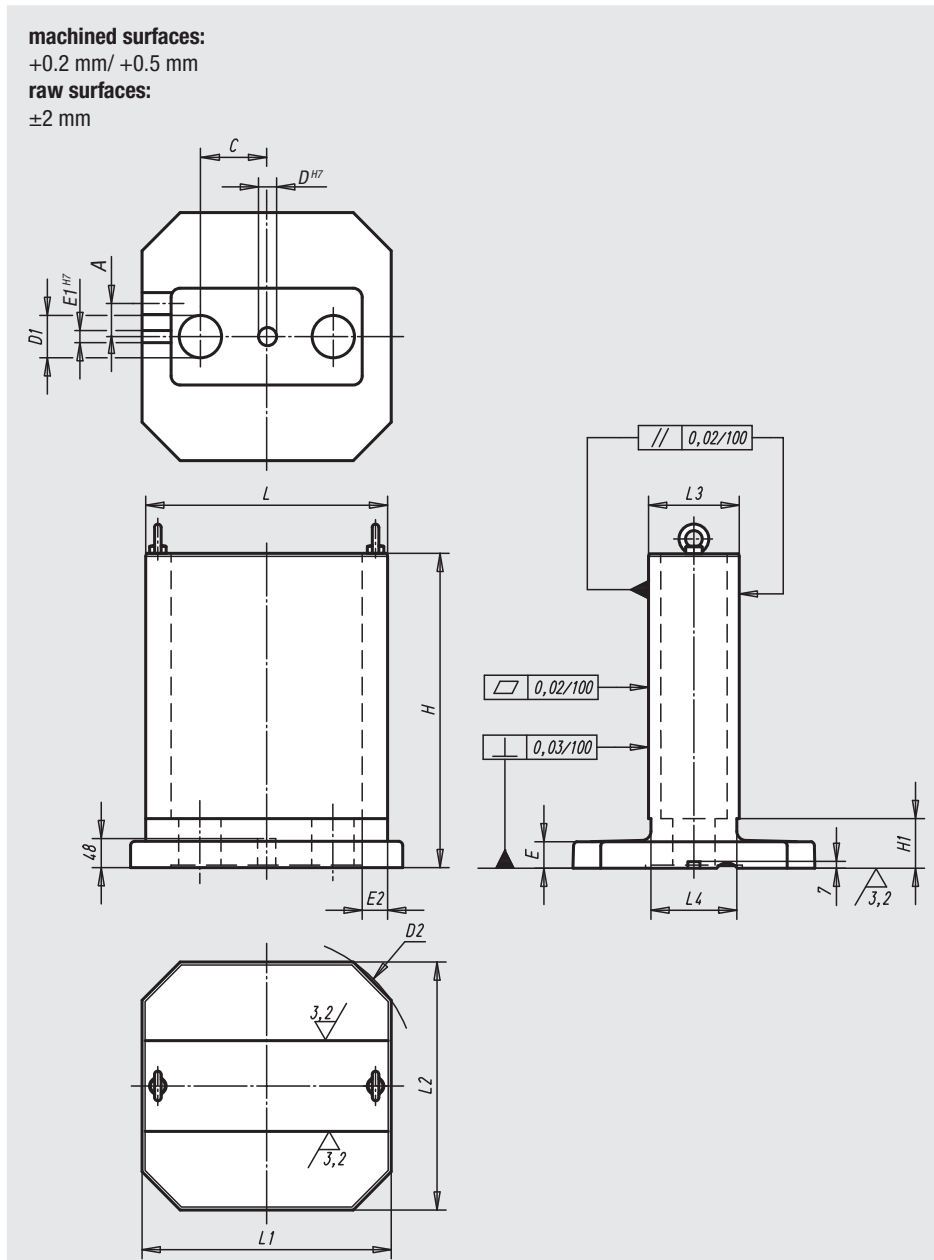


Material:
Grey cast iron GJL 250

Surface finish:
Reference surfaces precision-machined.

Sample order:
nlm 01270-320125

Note:
Lifting Eye Bolts are standard equipment. A cover prevents the cavities of the GridPlates from filling up with chips.



Order No.	A	C	D	D1	D2	E	E1	E2	H	H1	L	L1	L2	L3	L4	Approx. weight kg
01270-320125	32,5	75	30	50	400	40	20	40	378	65	320	332	330	125	115	93
01270-400150	50	120	30	70	500	40	20	42	485	80	400	412	410	150	142	170
01270-500200	55	150	30	100	630	40	20	53	603	90	500	512	510	200	190	293
01270-630250	70	180	30	140	800	50	20	57	753	100	630	642	640	250	240	510