

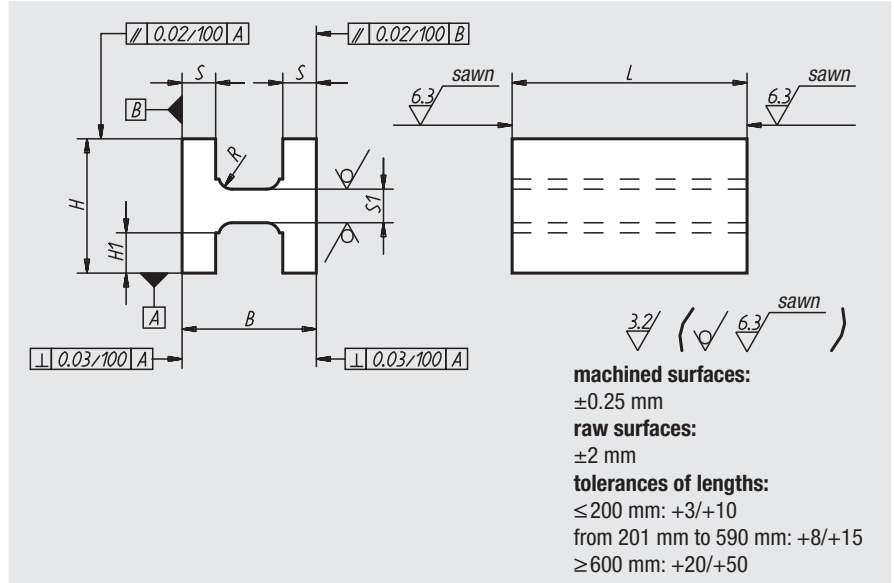
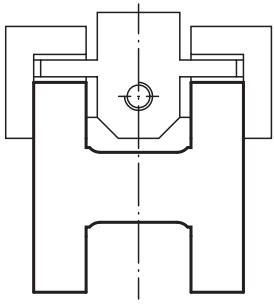
H-shaped profiles

grey cast iron and aluminium



Material:
Stabilised GJL 250 grey cast iron or EN AW-7075

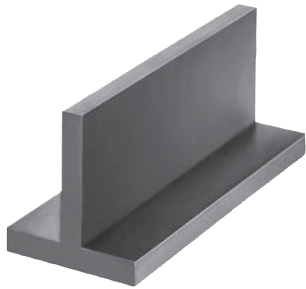
Sample order:
nlm 01560-04X300 (Please also indicate dimension L)



Order No. grey cast iron	Order No. Aluminium	L = length	B	H	H1	S	S1	R
01560-03X	01560-203X	600	80	80	25	16	21	6
01560-04X	01560-204X	300/600	100	100	32	20	26	8
01560-05X	01560-205X	200/300/600	125	125	45	20	26	8

T-shaped profiles

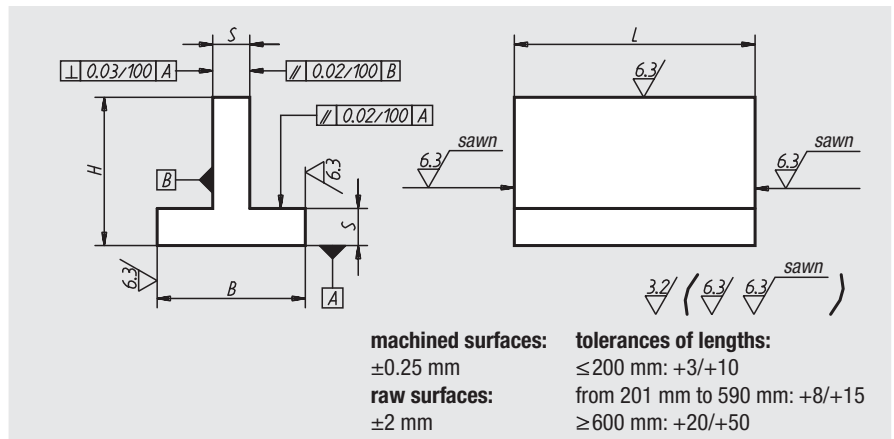
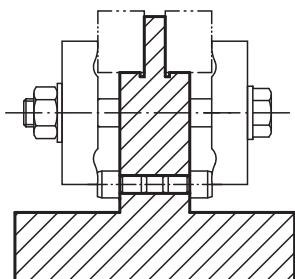
grey cast iron or aluminium



Material:
Stabilised GJL 250 grey cast iron or EN AW-7075

Sample order:
nlm 01580-05X300 (Please also indicate dimension L)

On request:
Lengths 800 mm and 1000 mm en grey cast iron.



Order No. grey cast iron	Order No. Aluminium	L = length	B	H	S
01580-01X	01580-201X	300	40	40	10
01580-02X	01580-202X	150/300	63	63	12
01580-03X	01580-203X	300/600/800	80	80	16
01580-04X	01580-204X	300/600/1000	100	100	20
01580-05X	01580-205X	300/600/1000	125	125	20
01580-06X	01580-206X	300/600	160	160	25
01580-07X	01580-207X	300/600	200	200	32

01000
02000
03000
04000
05000
06000
07000
08000
09000
20000
21000
22000
23000