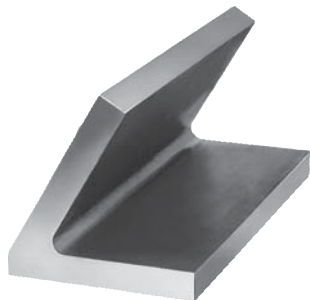


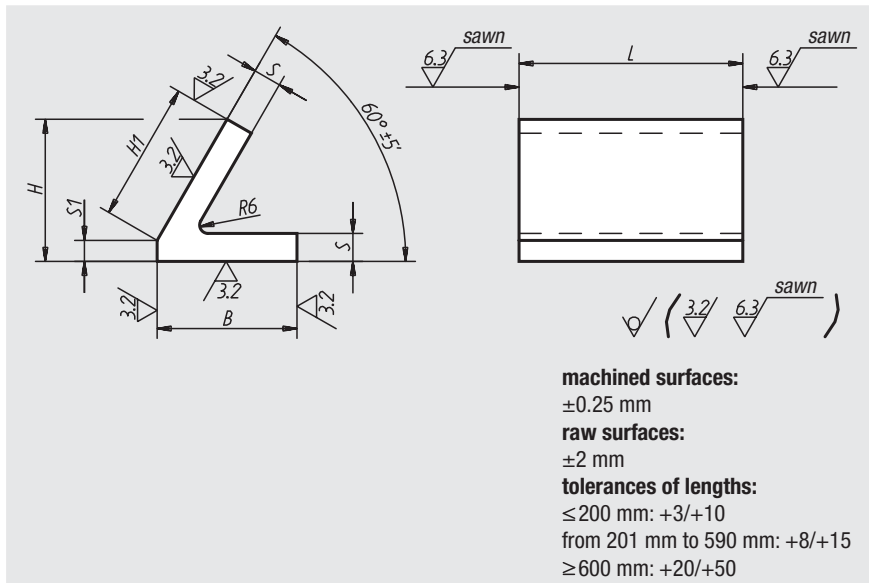
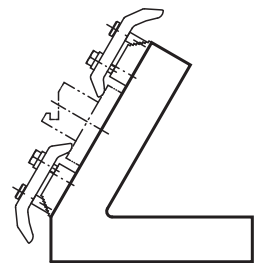
# 60° angle profiles

grey cast iron



**Material:**  
Stabilised GJL 250 grey cast iron

**Sample order:**  
nlm 01780-02X300 (Please also indicate dimension L)



Order No.	L = length	B	H	H1	S	S1	Approx. weight kg, L/100
01780-02X	300/600	100	101,5	100	20	15	2,900
01780-05X	300/600	200	197,5	200	32	24	8,800

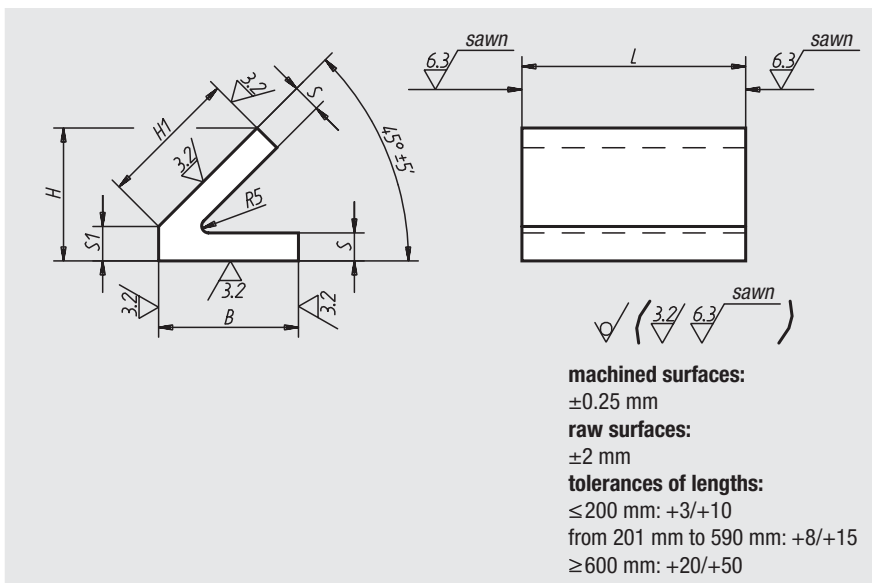
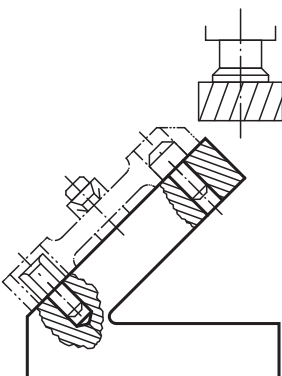
# 45° angle profiles

grey cast iron



**Material:**  
Stabilised GJL 250 grey cast iron

**Sample order:**  
nlm 01820-05X300 (Please also indicate dimension L)



Order No.	L = length	B	H	H1	S	S1	Approx. weight kg, L/100
01820-02X	300/600	100	95	100	20	24	2,850
01820-05X	300/600	200	181	200	32	40	9,100