

# Toggle locators

with swivel angle 20°



### Material:

Body in steel. Ball in rust and acid resistant steel.  
Form M with hard metal insert.

### Surface finish:

Body black oxide finish. Ball natural finish

### Sample order:

nIm 02001-108

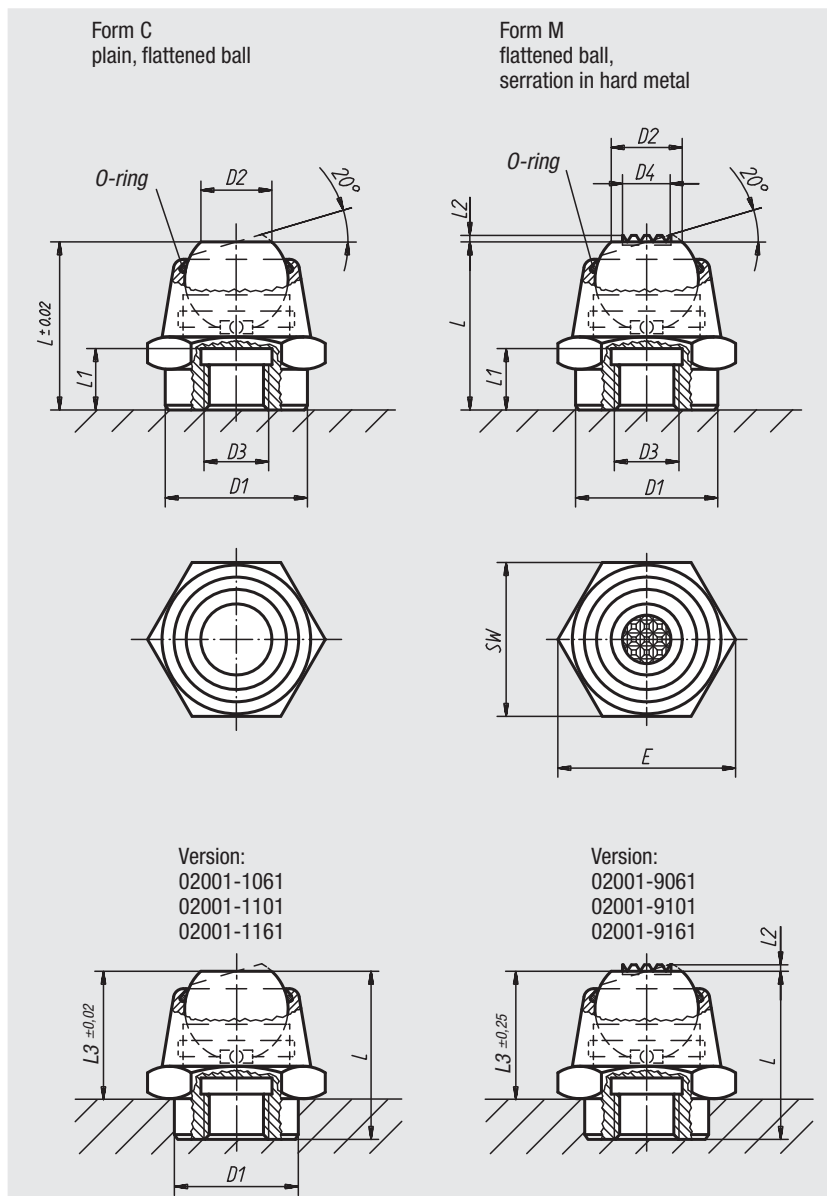
### Note:

Toggle locators are used to support and clamp unmachined and machined workpieces. In addition, they serve as stops, supports and thrust pads in fixture and tool shops. Patent applied for. Grub screws or threaded studs can be screwed and glued into thread D3. This is an easy way of obtaining a toggle locator with external thread.

Ball is protected against torsion.

### Advantages:

- The toggle locator can be swiveled by 20°.
- High load forces can be absorbed.
- The built-in O-ring keeps dirt and foreign particles out, which in turn guarantees reliable operation.



Order No. Form C	Order No. Form M	D1	D2	D3	D4	L	L1	L2	L3	E	SW	Ball-Ø	Load capacity max. kN (static load only)
02001-1061	02001-9061	12	7	M6	-/5	17,5	6	-/0,4	12,5	19,6	17	10	14
02001-106	02001-906	16	7	M6	-/5	17,5	6	-/0,4	-	19,6	17	10	14
02001-108	02001-908	22	11	M8	-/7,5	26	9	-/0,8	-	27,7	24	16	34
02001-1101	02001-9101	18	11	M10	-/7,5	26	9	-/0,8	20	27,7	24	16	34
02001-110	02001-910	22	11	M10	-/7,5	26	9	-/0,8	-	27,7	24	16	34
02001-112	02001-912	22	11	M12	-/7,5	26	9	-/0,8	-	27,7	24	16	34
02001-1161	02001-9161	26	18	M16	-/13	40	15	-/0,6	30	41,6	36	25	90
02001-116	02001-916	34	18	M16	-/13	40	15	-/0,6	-	41,6	36	25	90
02001-120	02001-920	34	18	M20	-/13	40	15	-/0,6	-	41,6	36	25	90