

# Toggle locators

swivels back automatically



**Material:**

Tempered steel.

**Surface finish:**

Hardened and black oxide finish.

**Sample order:**

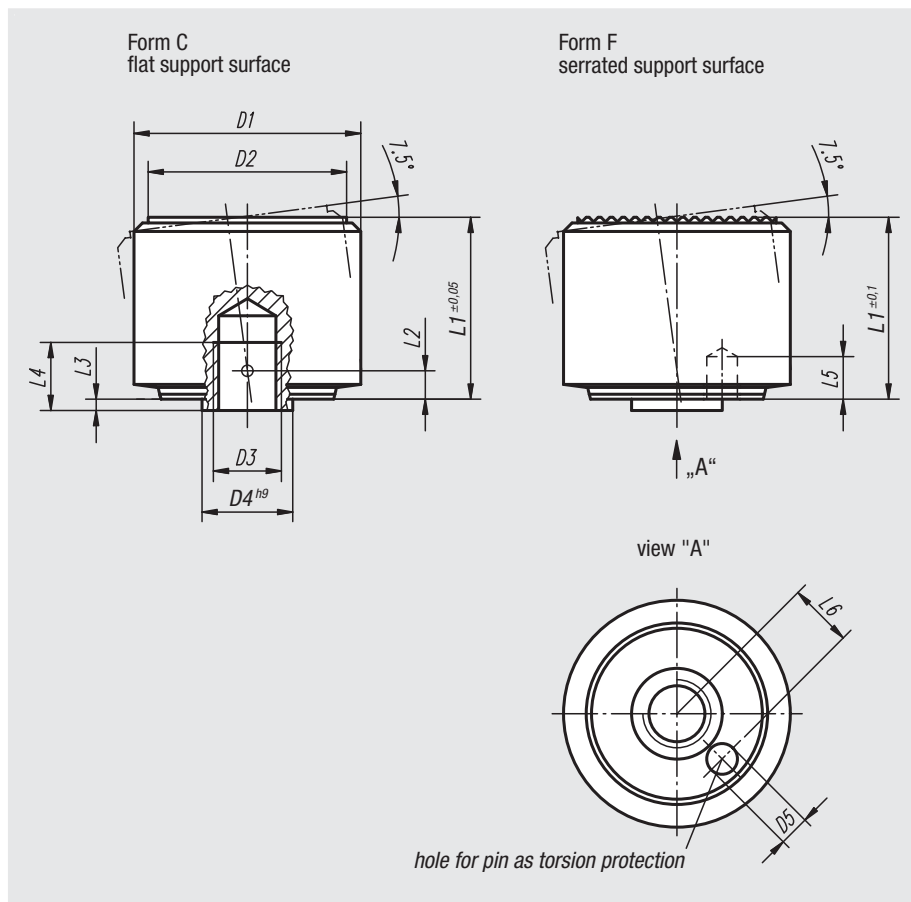
nlm 02004-105

**Note:**

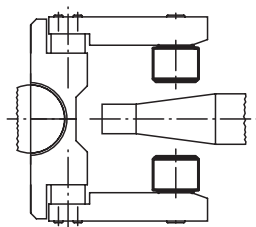
Toggle locators are used to support and clamp unmachined and machined workpieces. In addition, they serve as stops, supports and thrust pads in fixture and tool shops.

**Advantages:**

- The built-in O-ring prevents dirt and foreign particles from entering.
- The clamping surface swivels back to zero-point position automatically after clamping.
- High load rating and small size.

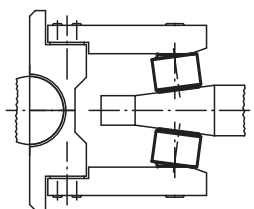


1. bring gripper into position



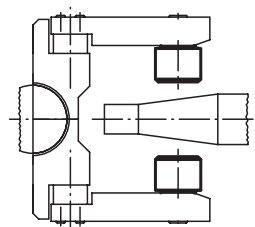
zero-point position of toggle locator

2. grasp workpiece



toggle locator adapts to workpiece contour

3. open gripper



toggle locator swivels back automatically

Order No.	Form	D1	D2	D3	D4	D5	L1	L2	L3	L4	L5	L6	Load capacity max. kN (static load only)	Approx. weight kg
02004-105	C	18	15	M5	7	1,8	14	2,1	0,8	5	3	4,6	30	0,022
02004-106	C	22	18	M6	8	2,8	16,5	2,5	1	6	4	5,6	50	0,040
02004-108	C	28	23	M8	11	3,3	21,5	3,4	1,3	8	5	7,5	90	0,082
02004-110	C	34	29	M10	13	4,4	27	4,2	1,6	10	6	9,2	140	0,153
02004-112	C	40	35	M12	16	5,4	32	5	2	12	8	11,3	220	0,253

Order No.	Form	D1	D2	D3	D4	D5	L1	L2	L3	L4	L5	L6	Load capacity max. kN (static load only)	Approx. weight kg
02004-305	F	18	15	M5	7	1,8	14	2,1	0,8	5	3	4,6	30	0,022
02004-306	F	22	18	M6	8	2,8	16,5	2,5	1	6	4	5,6	50	0,040
02004-308	F	28	23	M8	11	3,3	21,5	3,4	1,3	8	5	7,5	90	0,082
02004-310	F	34	29	M10	13	4,4	27	4,2	1,6	10	6	9,2	140	0,153
02004-312	F	40	35	M12	16	5,4	32	5	2	12	8	11,3	220	0,253