

Adjustable toggle locators

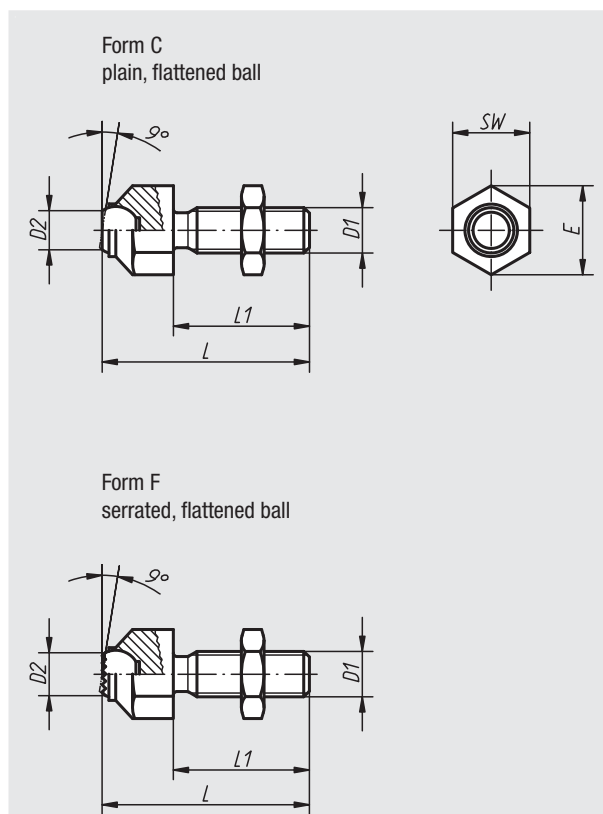


Material:
Steel.

Surface finish:
Housing heat-treated and manganese phosphate treated.
Ball hardened, natural finish.
Nut with black oxide finish.

Sample order:
nlm 02005-316

Note:
Ball is protected against torsion.



Order No.	Form	D1	D2	L	L1	E	SW	Ball-Ø	Load capacity max. kN (static load only)	Approx. weight kg
02005-108	C	M8	5,8	36,6	25	14,5	13	8,5	8	0,025
02005-110	C	M10	8,6	45,7	30	19	17	12	8	0,055
02005-112	C	M12	8,6	50,7	35	19	17	12	15	0,055
02005-116	C	M16	10,5	60,7	40	27	24	16	25	0,115
02005-120	C	M20	20	77,3	50	33	30	25	90	0,230

Order No.	Form	D1	D2	L	L1	E	SW	Ball-Ø	Load capacity max. kN (static load only)	Approx. weight kg
02005-308	F	M8	5,8	36,6	25	14,5	13	8,5	8	0,025
02005-310	F	M10	8,6	45,7	30	19	17	12	8	0,055
02005-312	F	M12	8,6	50,7	35	19	17	12	15	0,055
02005-316	F	M16	10,5	60,7	40	27	24	16	25	0,115
02005-320	F	M20	20	77,3	50	33	30	25	90	0,230