

Thrust bolts


Material:

Body in tempered steel.

Surface finish:

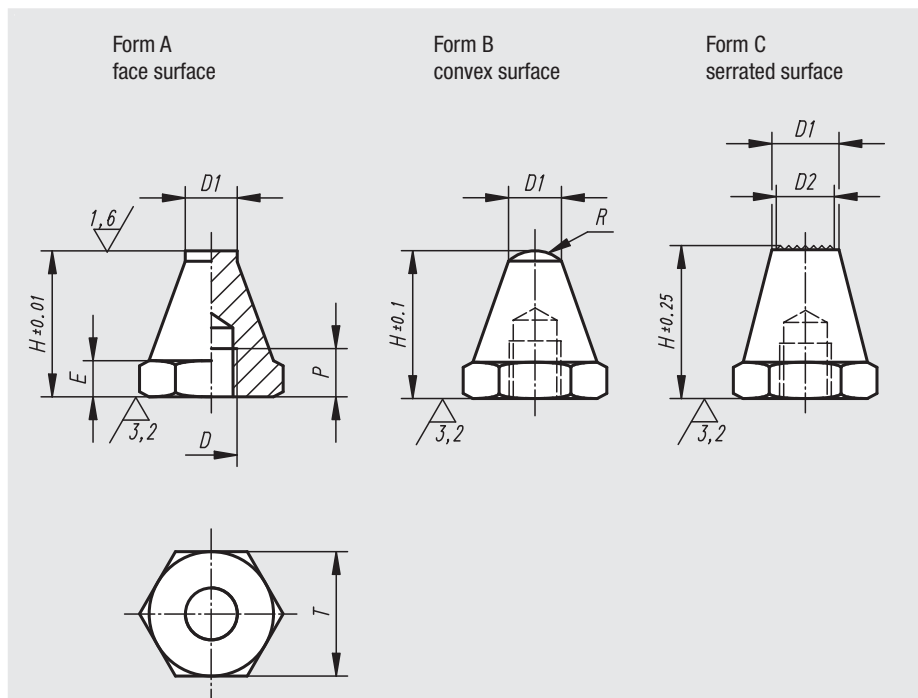
Body heat-treated with black oxide finish.

Sample order:

nIm 02028-106012

Note:

The thrust bolts act as supports for rough and machined parts and as stops. They can also be integrated into standard clamping or support elements. To change these parts into male threaded feet, just screw and glue a grub screw or threaded stud in tap D.



Order No. Form A	Order No. Form B	Order No. Form C	D	D1	D2	E	H	P	R	T	Approx. weight kg
02028-106012	02028-206012	02028-306012	M6	6	-/-5	3	12,5	4	-/5/-	11	0,005
02028-106025	02028-206025	02028-306025	M6	6	-/-5	3	25	7	-/5/-	11	0,008
02028-108015	02028-208015	02028-308015	M8	8	-/-6	4	15	6	-/8,5/-	13	0,009
02028-108030	02028-208030	02028-308030	M8	8	-/-6	4	30	9	-/8,5/-	13	0,018
02028-110020	02028-210020	02028-310020	M10	10	-/-8	5	20	9	-/9/-	17	0,017
02028-110040	02028-210040	02028-310040	M10	10	-/-8	5	40	13	-/9/-	17	0,035
02028-112025	02028-212025	02028-312025	M12	12	-/-9,5	6	25	11	-/12,75/-	19	0,025
02028-112050	02028-212050	02028-312050	M12	12	-/-9,5	6	50	16	-/12,75/-	19	0,062
02028-116030	02028-216030	02028-316030	M16	16	-/-13	8	30	12	-/17/-	24	0,050
02028-116060	02028-216060	02028-316060	M16	16	-/-13	8	60	20	-/17/-	24	0,112