

Thrust bolts with positioning pin

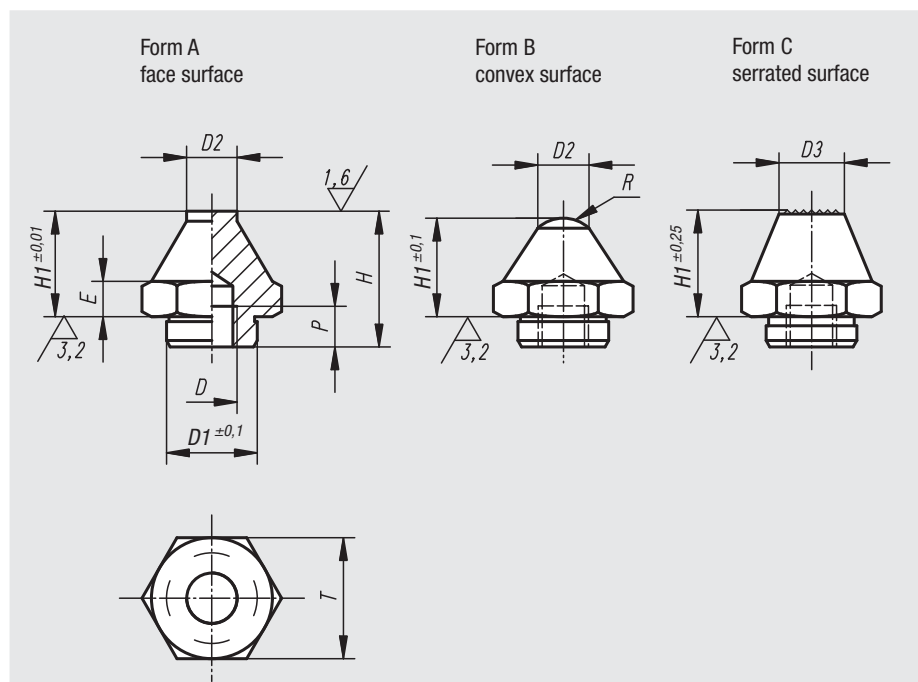


Material:
Body in tempered steel.

Surface finish:
Body heat-treated with black oxide finish.
Support surfaces case-hardened.

Sample order:
nlm 02029-106012

Note:
The thrust bolts act as supports for rough and machined parts and as stops. They can also be integrated into standard clamping or support elements. To change these parts into male threaded feet, just screw and glue a grub screw or threaded stud in tap D.



Order No.	Form	D	D1	D2	D3	E	H	H1	P	R	T	Approx. weight kg
02029-106012	A	M6	11,9	7	-	4	16,5	12,5	6	-	17	0,042
02029-106025	A	M6	11,9	7	-	4	29	25	6	-	17	0,062
02029-110020	A	M10	17,8	10	-	7	25	20	10	-	24	0,130
02029-110040	A	M10	17,8	10	-	7	46	40	10	-	24	0,180
02029-116030	A	M16	25,8	20	-	13	40	30	16	-	41	0,295
02029-116060	A	M16	25,8	20	-	13	70	60	16	-	41	0,480
02029-206012	B	M6	11,9	7	-	4	16,5	12,5	6	6	17	0,042
02029-206025	B	M6	11,9	7	-	4	29	25	6	6	17	0,062
02029-210020	B	M10	17,8	10	-	7	25	20	10	7,5	24	0,130
02029-210040	B	M10	17,8	10	-	7	46	40	10	7,5	24	0,180
02029-216030	B	M16	25,8	20	-	13	40	30	16	26	41	0,295
02029-216060	B	M16	25,8	20	-	13	70	60	16	26	41	0,480
02029-310020	C	M10	17,8	-	15	7	25	20	10	-	24	0,130
02029-310040	C	M10	17,8	-	10	7	46	40	10	-	24	0,180
02029-316030	C	M16	25,8	-	20	13	40	30	16	-	41	0,295
02029-316060	C	M16	25,8	-	20	13	70	60	16	-	41	0,480