

## Support bolts

**Material:**

Tempered steel, heat-treated.

**Surface finish:**

Black oxide finish.

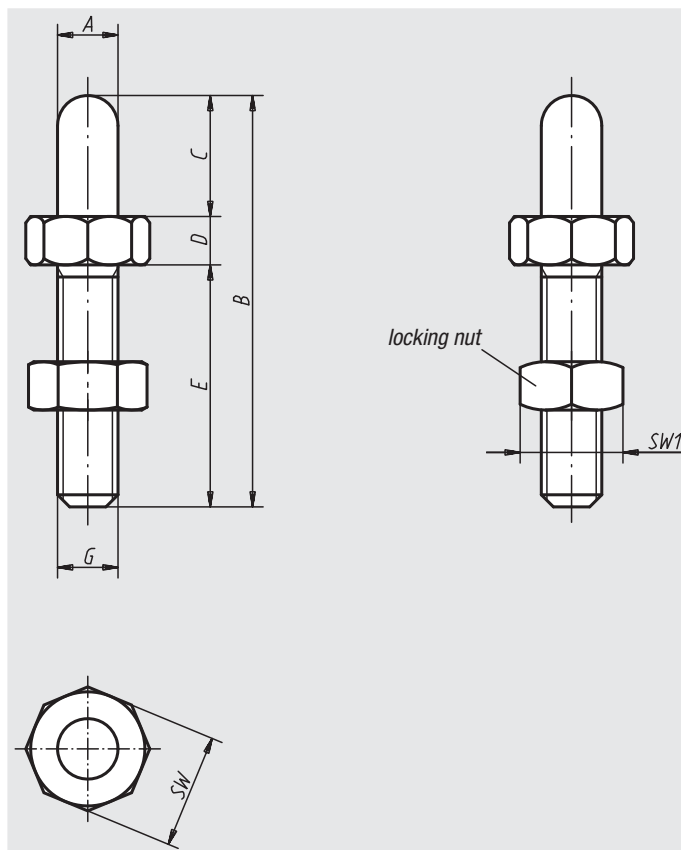
**Sample order:**

nln 02037-16016

**Note:**

The rounded nose allows support bolts to be used as positioning elements for workpieces with holes too.

The version 02037-08016 has a hexagonal.



Order No.	A	B	C	D	E	G	SW	SW1	Approx. weight kg
02037-06006	6	37	6	6	25	M6	13	10	0,011
02037-06012	6	43	12	6	25	M6	13	10	0,013
02037-08008	8	45	8	7	30	M8	13	13	0,040
02037-08016	8	53	16	7	30	M8	13	13	0,045
02037-10010	10	58	10	8	40	M10	17	17	0,060
02037-10020	10	68	20	8	40	M10	17	17	0,065
02037-12012	12	72	12	10	50	M12	19	19	0,110
02037-12024	12	84	24	10	50	M12	19	19	0,120
02037-16016	16	89	16	13	60	M16	24	24	0,240
02037-16032	16	105	32	13	60	M16	24	24	0,265
02037-20020	20	115	20	15	80	M20	36	30	0,350
02037-20040	20	135	40	15	80	M20	36	30	0,400