

Positioning feet

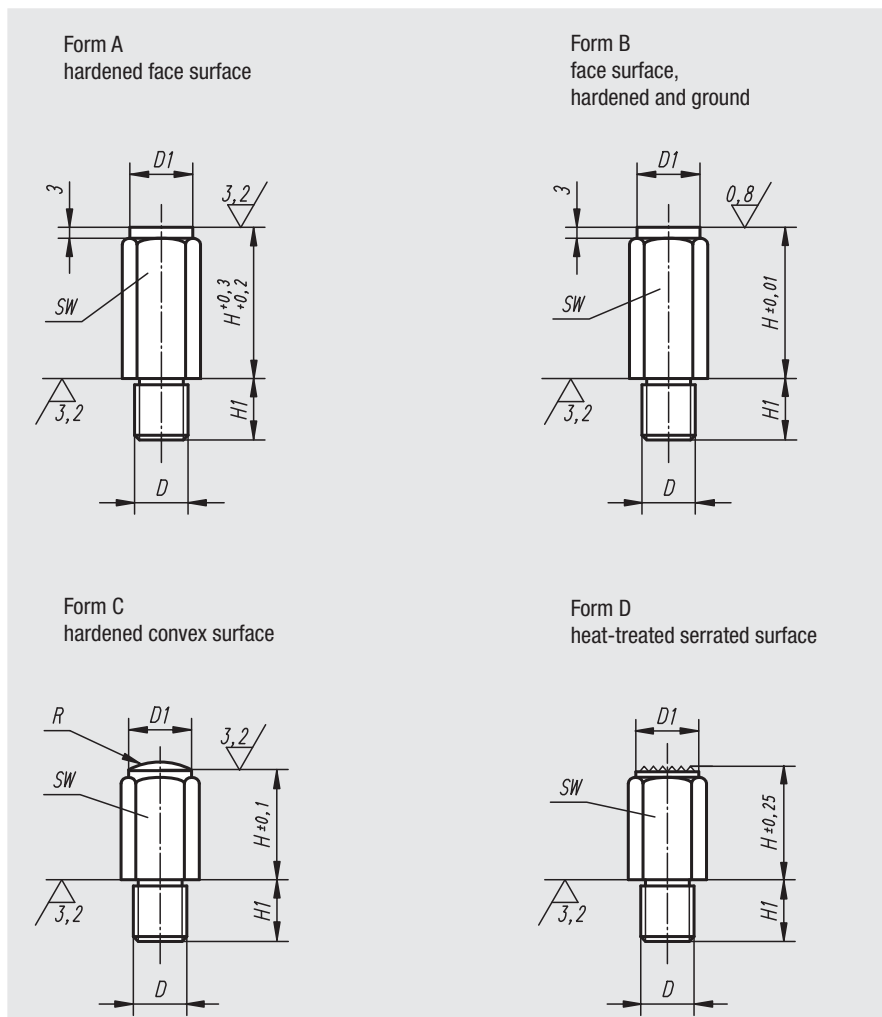


Material:
Body in tempered steel.

Surface finish:
Body heat-treated with black oxide finish.
Support surfaces case-hardened.

Sample order:
nlm 02041-106010

Note:
The positioning feet act as supports for rough and machined parts and as stops. They can also be integrated into standard clamping or support elements.



Order No. Form A	Order No. Form B	Order No. Form C	Order No. Form D	D	D1	H	H1	R	SW
02041-106010	02041-206010	02041-306010	02041-406010	M6	10/10/-/10	10	11	-/-/15/-	10
02041-106020	02041-206020	02041-306020	02041-406020	M6	10/10/-/10	20	11	-/-/15/-	10
02041-108010	02041-208010	02041-308010	-	M8	13/13/-	10	13	-/-/20	13
02041-108015	02041-208015	02041-308015	02041-408015	M8	13/13/-/13	15	13	-/-/20/-	13
02041-108030	02041-208030	02041-308030	02041-408030	M8	13/13/-/13	30	13	-/-/20/-	13
02041-110010	02041-210010	02041-310010	-	M10	17/17/-	10	16	-/-/30	17
02041-110020	02041-210020	02041-310020	02041-410020	M10	17/17/-/17	20	16	-/-/30/-	17
02041-110040	02041-210040	02041-310040	02041-410040	M10	17/17/-/17	40	16	-/-/30/-	17
02041-112010	02041-212010	02041-312010	-	M12	19/19/-	10	20	-/-/40	19
02041-112025	02041-212025	02041-312025	02041-412025	M12	19/19/-/19	25	20	-/-/35/-	19
02041-112050	02041-212050	02041-312050	02041-412050	M12	19/19/-/19	50	20	-/-/35/-	19
02041-116015	02041-216015	02041-316015	-	M16	27/27/-	15	24	-/-/50	27
02041-116030	02041-216030	02041-316030	02041-416030	M16	27/27/-/27	30	24	-/-/50/-	27
02041-116060	02041-216060	02041-316060	02041-416060	M16	27/27/-/27	60	24	-/-/50/-	27
02041-120040	02041-220040	02041-320040	02041-420040	M20	32/32/-/32	40	29	-/-/60/-	32
02041-120080	02041-220080	02041-320080	02041-420080	M20	32/32/-/32	80	29	-/-/60/-	32