

Jig feet

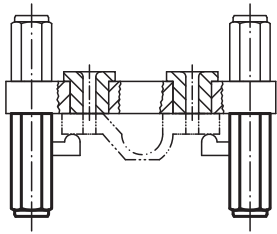
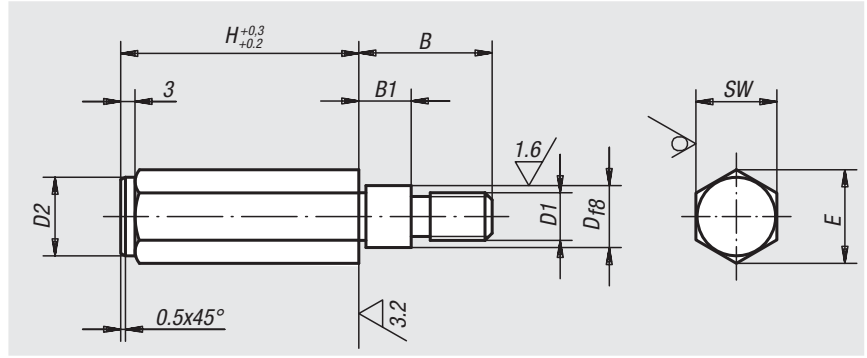
with threaded pin



Material:
Tempered steel 1.1181.

Surface finish:
Black oxide finish.

Sample order:
nlm 02050-10X75 (please also indicate dimension H)



Order No.	H	B	B1	D	D1	D2	E	SW
02050-10X	50/75/100	28	11	11	M10	16,5	19,5	17
02050-12X	50/75/100/125	35	18	13	M12	18,5	21,5	19

Application: drilling jig

