

Jig feet

with internal thread

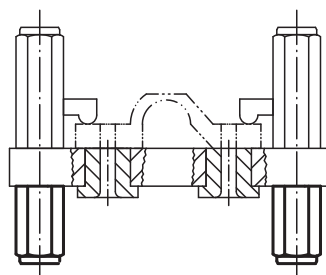
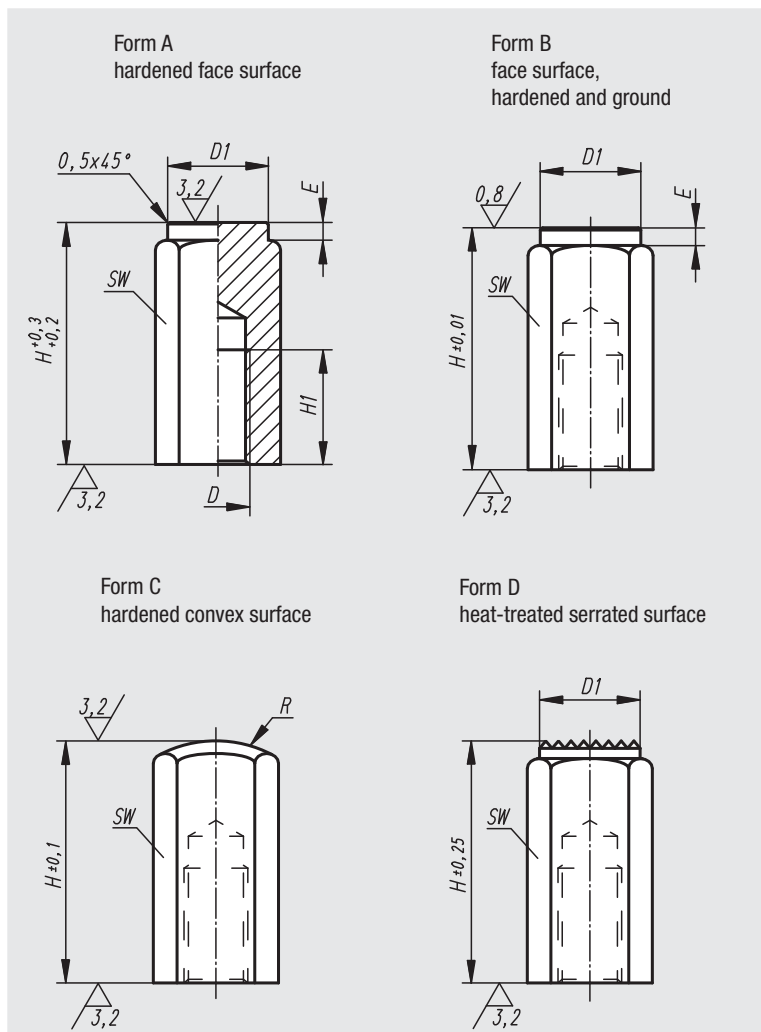


Material:
Body in tempered steel.

Surface finish:
Body heat-treated with black oxide finish.
Support surfaces case-hardened.

Sample order:
nlm 02070-106X20

Note:
The jig feet with internal thread act as supports for rough and machined parts and as stops. They can also be integrated into standard clamping or support elements.



Order No. Form A	Order No. Form B	Order No. Form C	Order No. Form D	D	D1	E	H	H1	R	SW
02070-106X20	02070-206X20	02070-306X20	02070-406X20	M6	9,5/9,5/-/9,5	2/2/-/	20	12	-/-/15/-	10
02070-106X40	02070-206X40	02070-306X40	02070-406X40	M6	9,5/9,5/-/9,5	2/2/-/	40	12	-/-/15/-	10
02070-110X32	02070-210X32	02070-310X32	02070-410X32	M10	16,5/16,5/-/16,5	3/3/-/	32	18	-/-/30/-	17
02070-110X63	02070-210X63	02070-310X63	02070-410X63	M10	16,5/16,5/-/16,5	3/3/-/	63	18	-/-/30/-	17
02070-112X32	02070-212X32	02070-312X32	02070-412X32	M12	18,5/18,5/-/18,5	3/3/-/	32	18	-/-/35/-	19
02070-112X63	02070-212X63	02070-312X63	02070-412X63	M12	18,5/18,5/-/18,5	3/3/-/	63	18	-/-/35/-	19
02070-116X50	02070-216X50	02070-316X50	02070-416X50	M16	23/23/-/23	4/4/-/	50	24	-/-/40/-	24
02070-116X100	02070-216X100	02070-316X100	02070-416X100	M16	23/23/-/23	4/4/-/	100	24	-/-/40/-	24