

Magnetic bolt stops

with flat surface, in aluminium



Material:

Aluminium (400 N/mm² tensile strength); spindle in tempered steel

Surface finish:

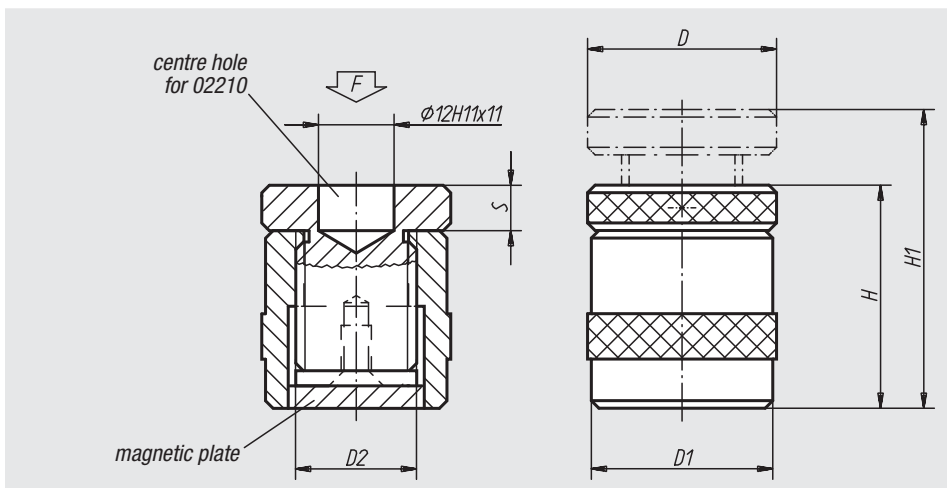
Self-locking trapezoidal thread, spindle has an integral brake

Sample order:

nIm 02182-01

Note:

Suitable for horizontal and vertical applications. Long-lasting and accurate positioning of the workpiece vertically can be achieved with the Magnetic Foot.



Order No.	D	D1	D2	H	H1	S	F max. kN	Approx. weight kg
02182-01	50	50	Tr 30 x 4	52	62	12	30	0,380
02182-02	50	50	Tr 30 x 4	60	80	12	30	0,550
02182-03	50	50	Tr 30 x 4	80	110	12	30	0,710

Atlas bolt blocks

with counter bolt



Material:

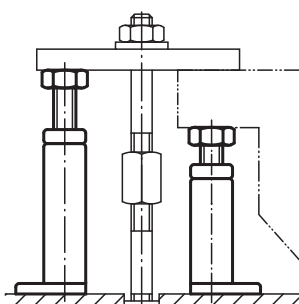
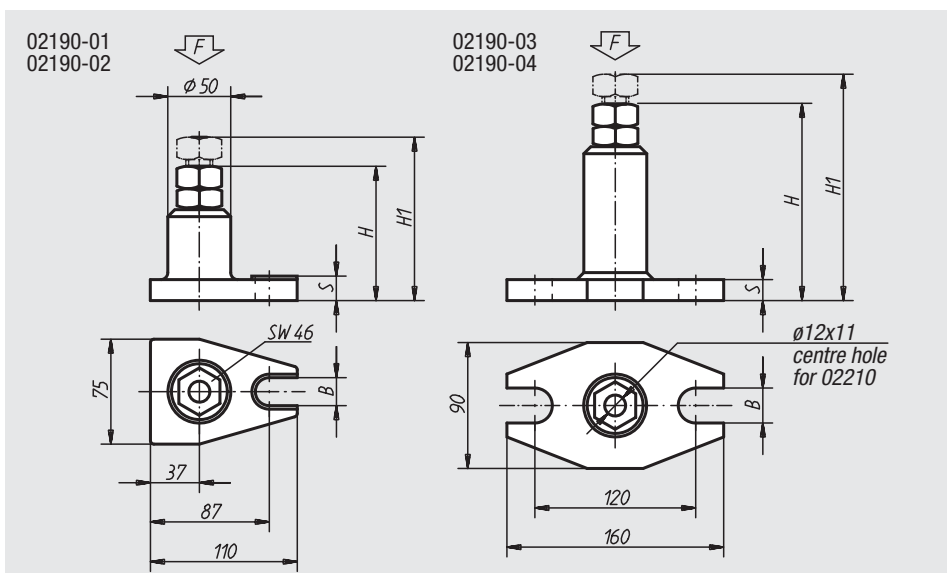
Tempered steel

Surface finish:

Hammer finished, spindle has 30 x 6 trapezoidal thread

Sample order:

nIm 02190-03



Order No.	Adjustment range	base plate	H	H1	B	S	F kN	Approx. weight kg
02190-01	100 - 140	76x111	100	140	18	17	60	1,750
02190-02	140 - 200	76x111	140	200	18	17	60	2,200
02190-03	200 - 320	90x160	200	320	22	22	40	3,400
02190-04	320 - 540	90x160	320	540	22	25	25	5,100