

## Universal-tensioning bases

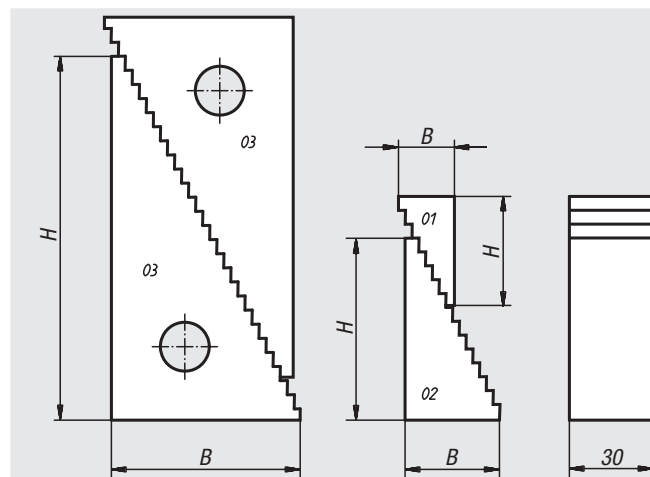
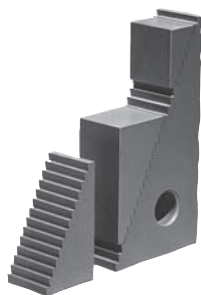
**Material:**  
Tempered steel

**Surface finish:**  
Painted

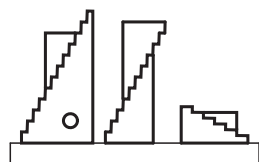
**Sample order:**  
nlm 02270-02

**Note:**  
You will find a combination of these universal tensioning bases under 02310.  
Universal-tensioning bases can also be used in conjunction with step-toothed spanners 04070.

Vertical step height: 4.65 mm  
Horizontal step height: 2.3 mm



application example:



Order No.	B	H	Support height max.	Support height min.	Approx. weight kg
02270-01	19	32	51	22	0,090
02270-02	35,5	65	107	39	0,300
02270-03	68	130	208	71	1,050

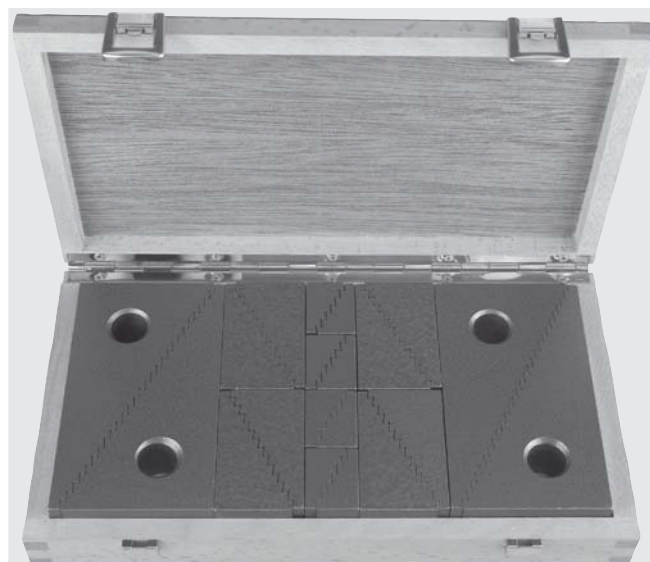
## Set of universal-tensioning bases

**Material:**  
Tempered steel

**Surface finish:**  
Painted

**Sample order:**  
nlm 02310-01

**Note:**  
The special arrangement of teeth allows these bases to be used in a vertical and horizontal position. The complete set in its wooden case comprises 20 parts which are interchangeable and provide many possible uses. These bases can also be ordered separately. See 02270. Universal-Tensioning Bases can also be used in conjunction with step-toothed spanners 04070.



Order No.	Content	Support height mm	Box dimensions mm	Approx. weight kg
02310-01	8 ea. No. 01, 8 ea. No. 02, 4 ea. No. 03	from 22 up to 208	280 x 155 x 40	7,000