

Height-adjustable wedges

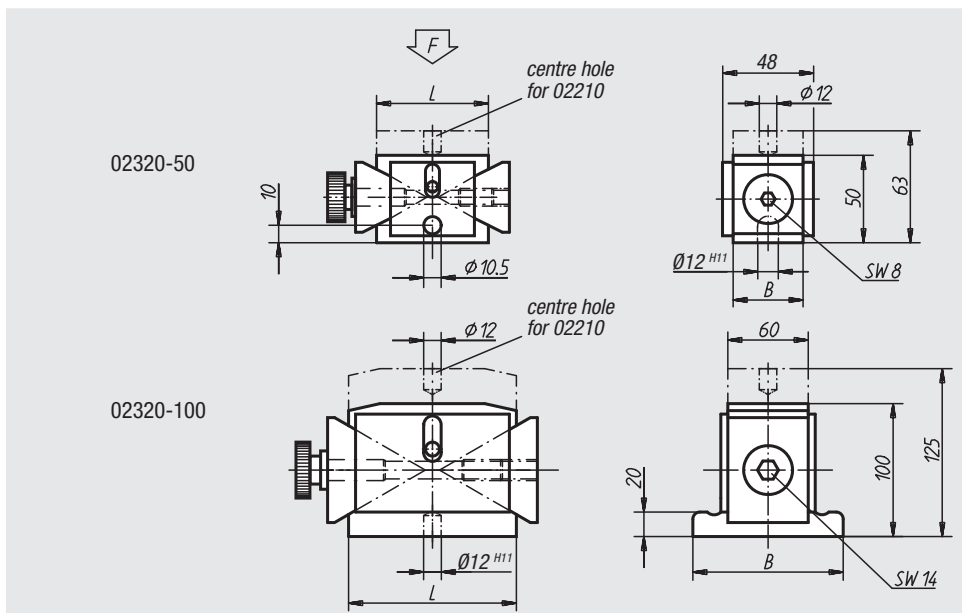


Material:
Tempered steel and spheroidal cast iron

Surface finish:
Tempered and black oxide finished;
surface of wedges finely machined

Sample order:
nlm 02320-50

Note:
Sensitive adjustments made using the edged bolt or hexagonal spanner. This results in vertical movement with no lateral displacement. Particularly suited for moving or machining heavy parts. One set of 02210-01 balls is included with every height wedge.



| Order No. | Clamping range | L | B | height adjustment per spindle turn | F kN | Approx. weight kg |
|-----------|----------------|-----|-----|------------------------------------|------|-------------------|
| 02320-50 | 50 - 63 | 63 | 40 | 0,86 | 40 | 1,300 |
| 02320-100 | 100 - 125 | 125 | 115 | 1,16 | 100 | 8,600 |

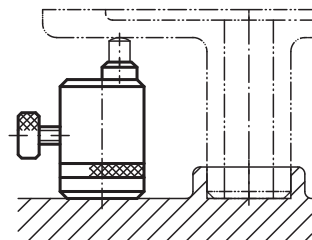
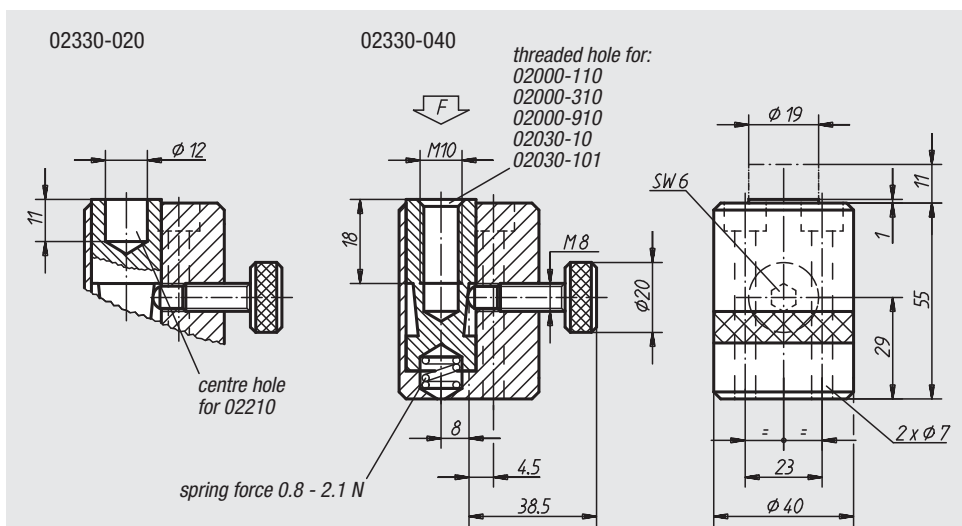
Cylindrical support elements



Material:
Tempered steel 1.1181

Surface finish:
Black oxide finish

Sample order:
nlm 02330-40



| Order No. | F max. N | Approx. weight kg |
|-----------|----------|-------------------|
| 02330-020 | 4000 | 0,600 |
| 02330-040 | 4000 | 0,600 |