

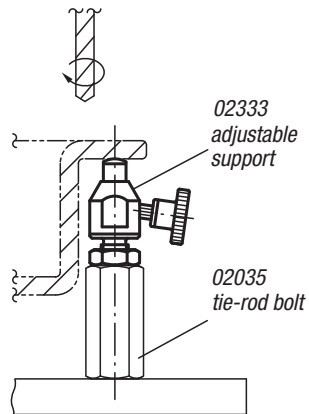
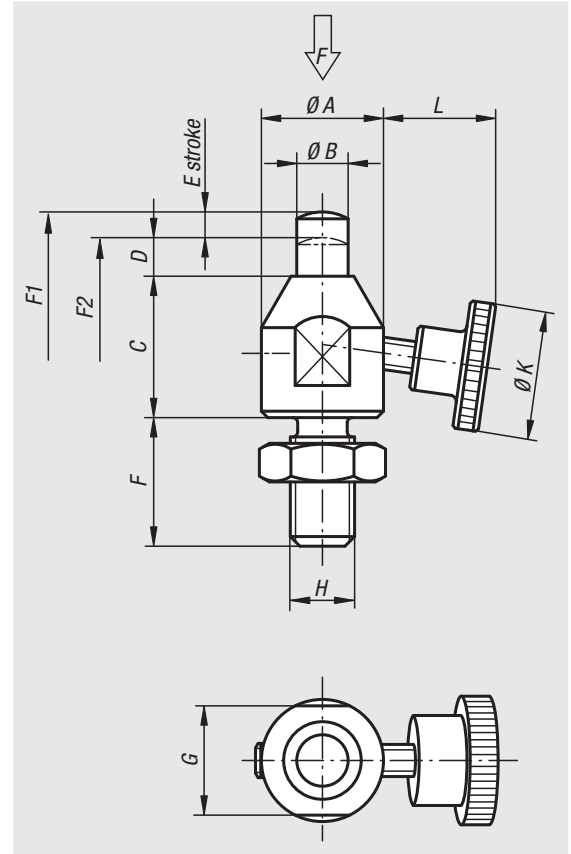
Adjustable supports



Material:
Tempered steel

Surface finish:
Base body black oxide finish; thrust bolt hardened and black oxide finish

Sample order:
nlm 02333-08023



Order No.	A	B	C	D	E	F	G	H	K	L	F N	Spring force initial pressure F1 approx. N	Spring force final pressure F2 approx. N	Approx. weight kg
02333-08023	15	6	18	5	3	16	13	M8	20	13,2	200	1,5	3	0,036
02333-10028	19	8	22	6	4	20	17	M10	25	16,3	300	1,8	3	0,072
02333-12031	22	10	25	6	4	24	19	M12	28	22,3	400	1,8	3	0,150

01000
02000
03000
04000
05000
06000
07000
08000
09000
20000
21000
22000
23000