

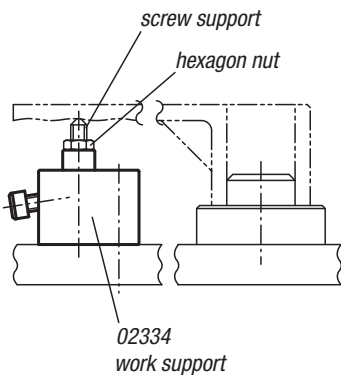
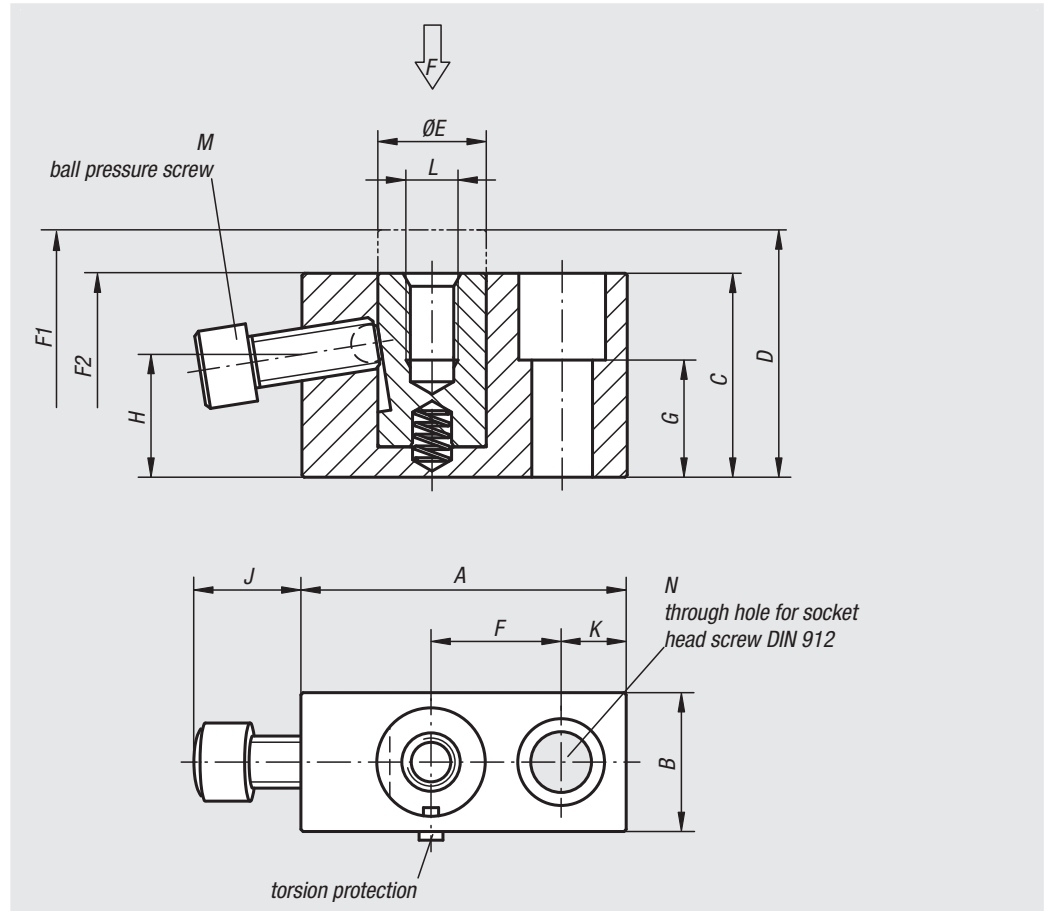
Work supports



Material:
Tempered steel.

Surface finish:
Base body black oxide finish; piston heat-treated and black oxide finish

Sample order:
nlm 02334-06029



Order No.	A	B	C	D	E	F	G	H	J	K	L	M	N	F N	Spring force initial pressure F1 approx. N	Spring force final pressure F2 approx. N	Approx. weight kg
02334-06029	38	19	29	35	12	15	15	17,6	13	8	M6x10	M6x16	M6	4000	0	6	0,150
02334-08037	50	22	37	47	16	20	20	21,1	16	10	M8x15	M8x20	M8	6000	0	7	0,285
02334-12047	75	32	47	57	25	30	27	28,3	25	15	M12x20	M12x30	M12	9000	1	11	0,800