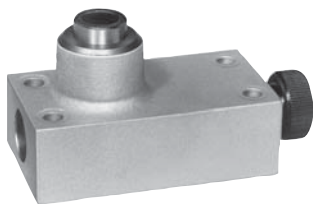


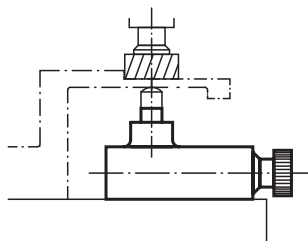
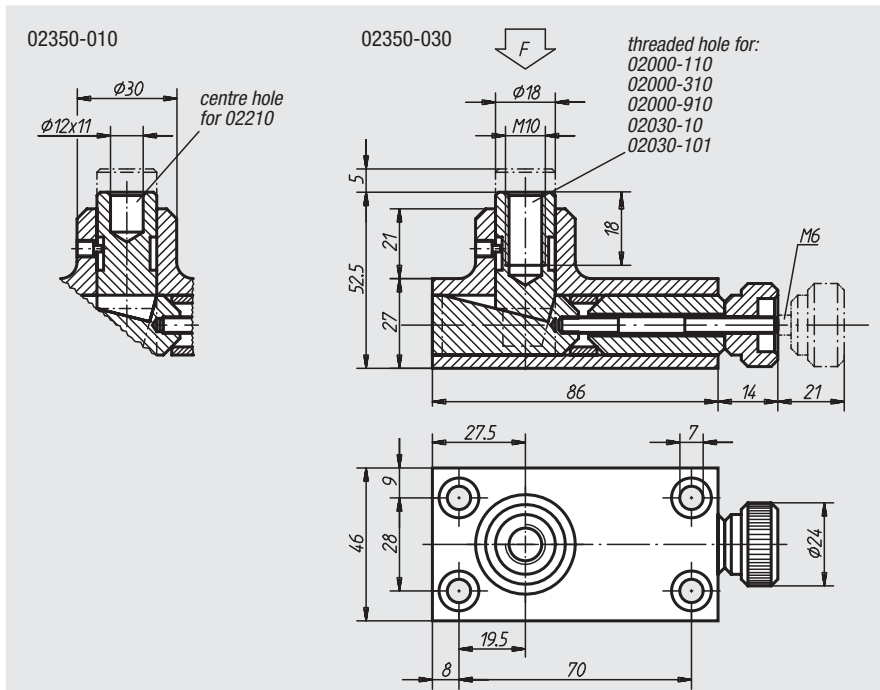
# Rectangular support elements



**Material:**  
Casing GJL 250; press-on bolts and locking parts: tempered steel

**Surface finish:**  
Housing painted, steel parts black oxide finish

**Sample order:**  
nIm 02350-030



Order No.	F max. kN	Approx. weight kg
02350-010	30	0,950
02350-030	30	0,950