

Spring plungers

with recess and ball in POM



Material, surface finish:

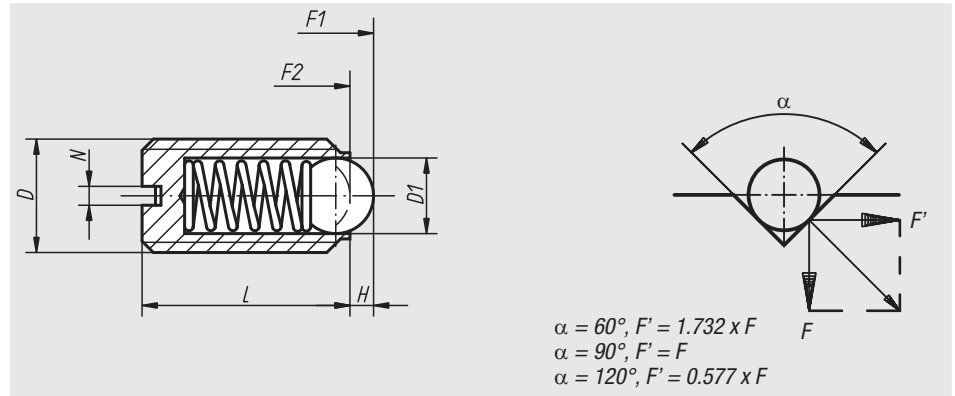
Sleeve in plastic.
Ball in white POM.
Spring 1.4310.

Sample order:

nIm 03004-10

Note:

Spring plungers are used for indexing and positioning.
They can also be used as ejectors.



Order No.	D	D1	L	H	N	Spring force initial pressure F1 approx. N	Spring force final pressure F2 approx. N	Approx. weight g
03004-06	M6	3,5	14	1	1	9	13	0,4
03004-08	M8	5	16	1,5	1,2	15	30	0,8
03004-10	M10	6	19	2	1,6	20	40	1,6