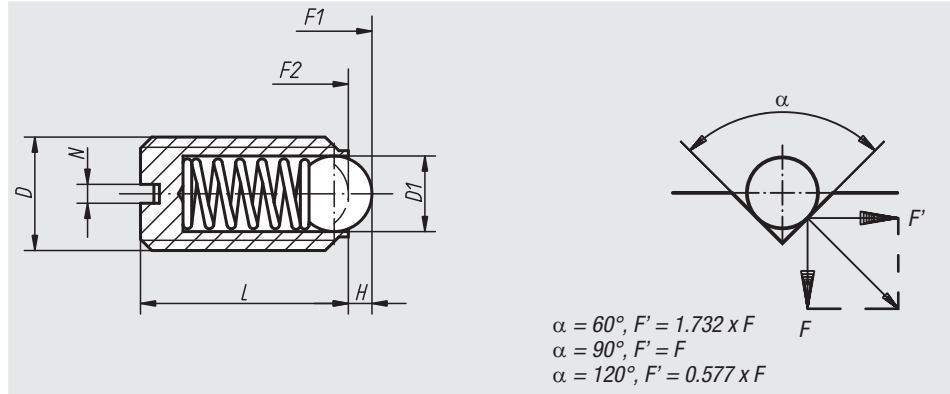


Spring plungers

with recess and ceramic ball, stainless steel



Material:

Sleeve 1.4305.
Ceramic ball Si_3N_4 .
Spring 1.4310.

Surface finish:

Natural finish

Sample order:

nIm 03008-05

Note:

The combination of excellent material properties is a special feature of silicon nitride (Si_3N_4). These include, for example, high tenacity and stability, excellent wear resistance and efficient chemical resistance.

Order No.	D	D1	L	H	N	Spring force initial pressure F1 approx. N	Spring force final pressure F2 approx. N	Approx. weight g
03008-05	M5	3	12	0,9	0,8	6	11	0,9
03008-06	M6	3,5	14	1	1	9	13	1,5
03008-08	M8	5	16	1,5	1,2	15	30	3,5
03008-10	M10	6	19	2	1,6	20	35	7
03008-12	M12	8	22	2,5	2	30	55	10
03008-16	M16	10	24	3,5	2,5	65	125	24