

Spring plungers

with recess and ball in stainless steel



Material, surface finish:

Sleeve in plastic.

Ball in stainless steel 1.4034, hardened.

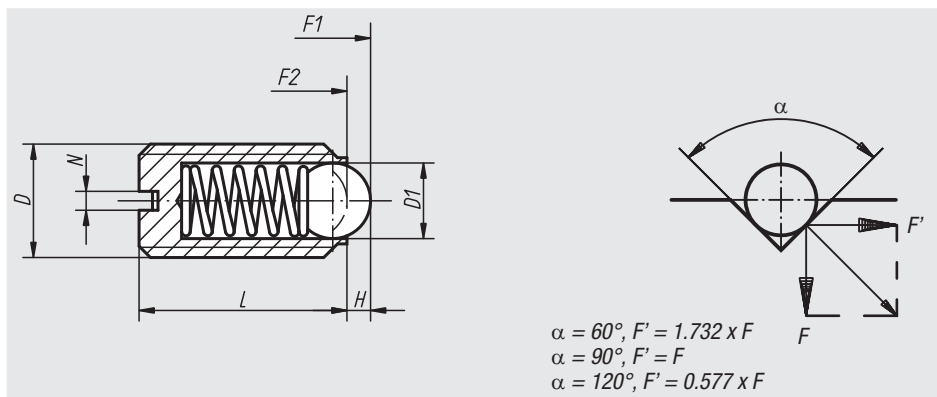
Spring 1.4310.

Sample order:

nIm 03014-10

Note:

Spring plungers are used for indexing and positioning. They can also be used as ejectors.



Order No.	D	D1	L	H	N	Spring force initial pressure F1 approx. N	Spring force final pressure F2 approx. N	Approx. weight g
03014-06	M6	3,5	14	1	1	9	13	0,6
03014-08	M8	5	16	1,5	1,2	15	30	1,2
03014-10	M10	6	19	2	1,6	20	40	2,3