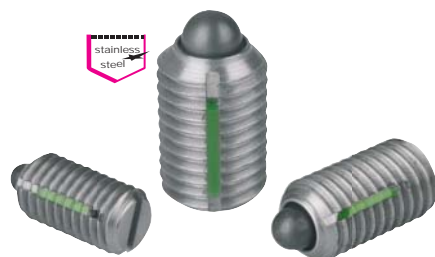


Spring plungers

with recess and pressure pin, stainless steel, LONG-LOK secured



Material:

Sleeve 1.4305.

Pressure pin 1.4034.

Spring 1.4310.

LONG-LOK thread lock in nylon.

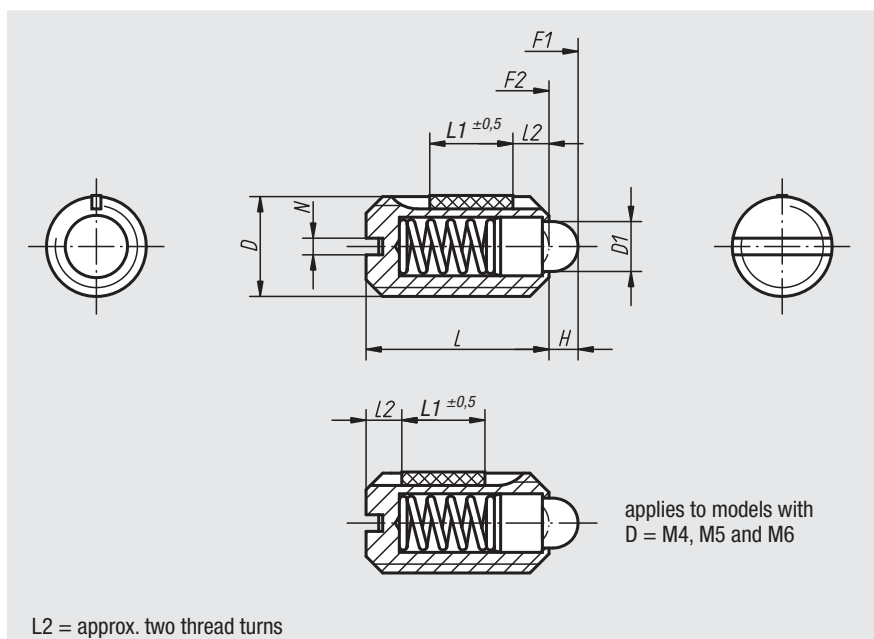
Surface finish:

Natural finish.

Pressure pin hardened.

Sample order:

nIm 03026-10



Spring plungers with recess and pressure pin, standard spring force, LONG-LOK secured

Order No.	D	D1	L	L1	H	N	Spring force initial pressure F1 approx. N	Spring force final pressure F2 approx. N	Tightening torque approx. Nm	Loosening torque, after third unscrewing approx. Nm	Approx. weight g
03026-04	M4	1,8	9	5	1,5	0,6	6	20	0,18	0,12	0,39
03026-05	M5	2,4	12	6	2	0,8	6	20	0,12	0,08	1
03026-06	M6	2,7	14	7	2	1	7	20	0,44	0,21	1,7
03026-08	M8	4	16	8	2	1,2	15	30	1,10	0,38	4
03026-10	M10	4,5	19	9	2,5	1,6	20	35	1,36	0,62	7
03026-12	M12	6	22	10	3,5	2	30	55	2,11	1,41	13
03026-16	M16	8,5	24	14	4,5	2,5	45	100	3,95	3,05	24

Spring plungers with recess and pressure pin, light spring force, LONG-LOK secured

Order No.	D	D1	L	L1	H	N	Spring force initial pressure F1 approx. N	Spring force final pressure F2 approx. N	Tightening torque approx. Nm	Loosening torque, after third unscrewing approx. Nm	Approx. weight g
03026-104	M4	1,8	9	5	1,5	0,6	3	10	0,18	0,12	0,39
03026-105	M5	2,4	12	6	2	0,8	3	10	0,12	0,08	1
03026-106	M6	2,7	14	7	2	1	4	10	0,44	0,21	1,7
03026-108	M8	4	16	8	2	1,2	7	15	1,10	0,38	4
03026-110	M10	4,5	19	9	2,5	1,6	9	16	1,36	0,62	7
03026-112	M12	6	22	10	3,5	2	14	26	2,11	1,41	13
03026-116	M16	8,5	24	14	4,5	2,5	22	50	3,95	3,05	24

Spring plungers with recess and pressure pin, strong spring force, LONG-LOK secured

Order No.	D	D1	L	L1	H	N	Spring force initial pressure F1 approx. N	Spring force final pressure F2 approx. N	Tightening torque approx. Nm	Loosening torque, after third unscrewing approx. Nm	Approx. weight g
03026-205	M5	2,4	12	6	2	0,8	9	25	0,12	0,08	1
03026-206	M6	2,7	14	7	2	1	11	25	0,44	0,21	1,7
03026-208	M8	4	16	8	2	1,2	22	43	1,1	0,38	4
03026-210	M10	4,5	19	9	2,5	1,6	20	54	1,36	0,62	7
03026-212	M12	6	22	10	3,5	2	36	94	2,11	1,41	13
03026-216	M16	8,5	24	14	4,5	2,5	60	110	3,99	3,05	29