

Spring plungers

with hexagon socket and ceramic ball



Material:

Sleeve 1.4305.
Ceramic ball Si_3N_4 .
Spring 1.4310.

Surface finish:

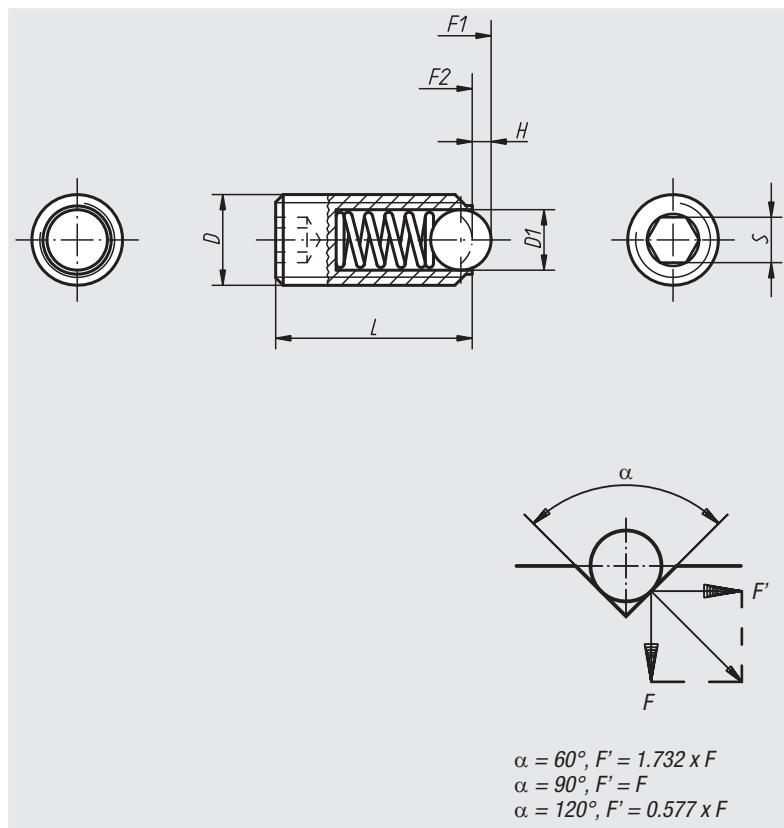
Natural finish.

Sample order:

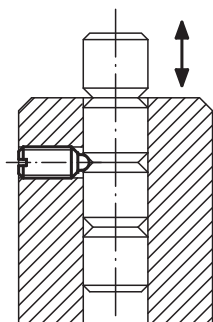
nIm 03033-05

Note:

The combination of excellent material properties is a special feature of silicon nitride (Si_3N_4). These include, for example, high tenacity and stability, excellent wear resistance and efficient chemical resistance.



column locking



Order No.	D	D1	L	H	S	Spring force initial pressure F1 approx. N	Spring force final pressure F2 approx. N	Approx. weight g
03033-05	M5	3	14	0,9	2,5	6	11	1,3
03033-06	M6	3,5	15	1	3	9	13	2
03033-08	M8	5	18	1,5	4	15	30	4
03033-10	M10	6	23	2	5	20	35	8
03033-12	M12	8	26	2,5	6	30	55	12
03033-16	M16	10	33	3,5	8	65	125	31