

# Spring plungers

with hexagon socket and pressure pin in POM, steel, LONG-LOK secured



## Material:

Body in steel quality class 5.8.  
Pressure pin in POM.  
Spring in spring steel class D.

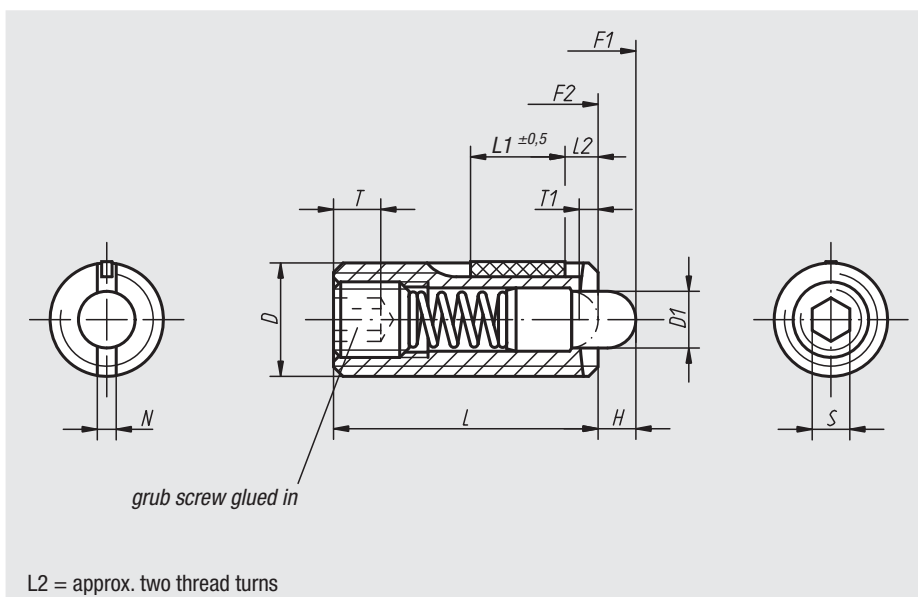
LONG-LOK thread lock in nylon.

## Surface finish:

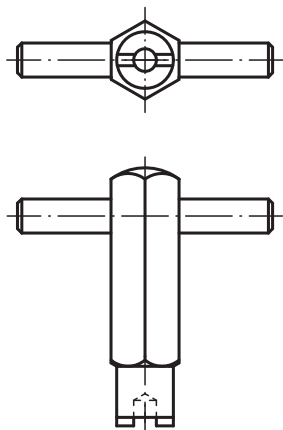
Black oxide finish.

## Sample order:

nln 03051-12



assembly key



## Spring plungers with hexagon socket and pressure pin, standard spring force, LONG-LOK secured

Order No.	D	D1	L	L1	H	T	T1	N	S	Spring force initial pressure F1 approx. N	Spring force final pressure F2 approx. N	Tightening torque approx. Nm	Loosening torque, after third unscrewing approx. Nm	Approx. weight g	Order No. assembly key
03051-05	M5	2,4	18	7	2,3	2	0,8	0,8	1,5	6	20	0,12	0,08	1,3	03040-905
03051-06	M6	2,7	20	7	2,5	2,5	1	1	2	7	20	0,45	0,22	2,5	03040-906
03051-08	M8	3,5	22	8	3	3	1,4	1,2	2,5	9	35	1,05	0,37	6	03040-908
03051-10	M10	4	22	9	3	3,5	1,4	1,6	3	9	35	1,30	0,60	9	03040-910
03051-12	M12	6	28	10	4	5	2	2	4	10	55	2,00	1,30	16	03040-912
03051-16	M16	7,5	32	14	5	6	2,5	2,5	5	45	100	3,90	3,00	35	03040-916

## Spring plungers with hexagon socket and pressure pin, light spring force, LONG-LOK secured

Order No.	D	D1	L	L1	H	T	T1	N	S	Spring force initial pressure F1 approx. N	Spring force final pressure F2 approx. N	Tightening torque approx. Nm	Loosening torque, after third unscrewing approx. Nm	Approx. weight g	Order No. assembly key
03051-105	M5	2,4	18	7	2,3	2	0,8	0,8	1,5	3	10	0,12	0,08	1,3	03040-905
03051-106	M6	2,7	20	7	2,5	2,5	1	1	2	3	9	0,45	0,22	2,5	03040-906
03051-108	M8	3,5	22	8	3	3	1,4	1,2	2,5	4	16	1,05	0,37	6	03040-908
03051-110	M10	4	22	9	3	3,5	1,4	1,6	3	4	16	1,30	0,60	9	03040-910
03051-112	M12	6	28	10	4	5	2	2	4	5	27	2,00	1,30	16	03040-912
03051-116	M16	7,5	32	14	5	6	2,5	2,5	5	20	45	3,90	3,00	35	03040-916