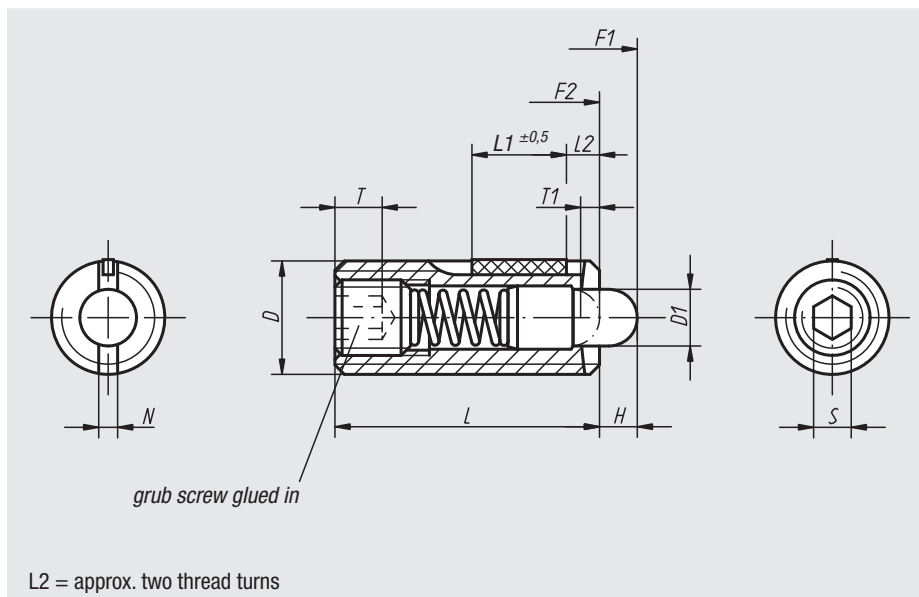


Spring plungers

with hexagon socket and pressure pin, stainless steel, LONG-LOK secured



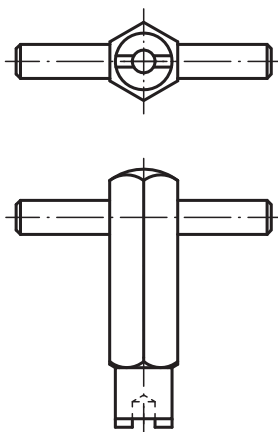
Material:
Sleeve 1.4305.
Pressure pin 1.4034.
Spring 1.4310.

LONG-LOK thread lock in nylon.

Surface finish:
Natural finish.
Pressure pin hardened.

Sample order:
nlm 03056-12

assembly key



Spring plungers with hexagon socket and pressure pin, standard spring force, LONG-LOK secured

Order No.	D	D1	L	L1	H	T	T1	N	S	Spring force initial pressure F1 approx. N	Spring force final pressure F2 approx. N	Tightening torque approx. Nm	Loosening torque, after third unscrewing approx. Nm	Approx. weight g	Order No. assembly key
03056-05	M5	2,4	18	7	2,3	2	0,8	0,8	1,5	5	17	0,12	0,08	1,3	03040-905
03056-06	M6	2,7	20	7	2,5	2,5	1	1	2	6	17	0,45	0,22	2,5	03040-906
03056-08	M8	3,5	22	8	3	3	1,4	1,2	2,5	7	29	1,05	0,37	6	03040-908
03056-10	M10	4	22	9	3	3,5	1,4	1,6	3	8	31	1,30	0,60	9	03040-910
03056-12	M12	6	28	10	4	5	2	2	4	10	47	2,00	1,30	16	03040-912
03056-16	M16	7,5	32	14	5	6	2,5	2,5	5	45	100	3,90	3,00	35	03040-916

Spring plungers with hexagon socket and pressure pin, strong spring force, LONG-LOK secured

Order No.	D	D1	L	L1	H	T	T1	N	S	Spring force initial pressure F1 approx. N	Spring force final pressure F2 approx. N	Tightening torque approx. Nm	Loosening torque, after third unscrewing approx. Nm	Approx. weight g	Order No. assembly key
03056-205	M5	2,4	18	7	2,3	2	0,8	0,8	1,5	9	26	0,12	0,08	1,3	03040-905
03056-206	M6	2,7	20	7	2,5	2,5	1	1	2	11	35	0,45	0,22	2,5	03040-906
03056-208	M8	3,5	22	8	3	3	1,4	1,2	2,5	15	48	1,05	0,37	6	03040-908
03056-210	M10	4	22	9	3	3,5	1,4	1,6	3	15	58	1,30	0,60	9	03040-910
03056-212	M12	6	28	10	4	5	2	2	4	19	74	2,00	1,30	16	03040-912

01000
02000
03000
04000
05000
06000
07000
08000
09000
20000
21000
22000
23000