

Spring plungers

with head

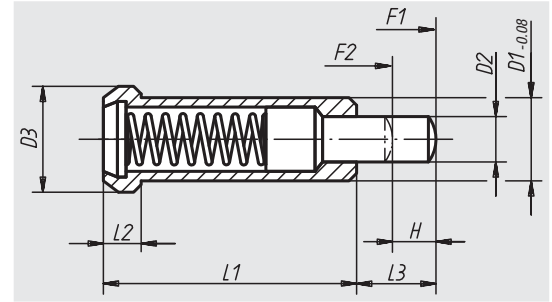
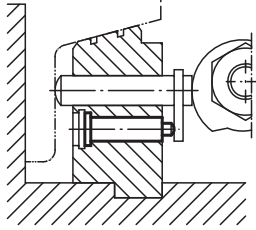


Material:
Free cutting steel.

Surface finish:
Black oxide finish.
Pressure pin hardened.

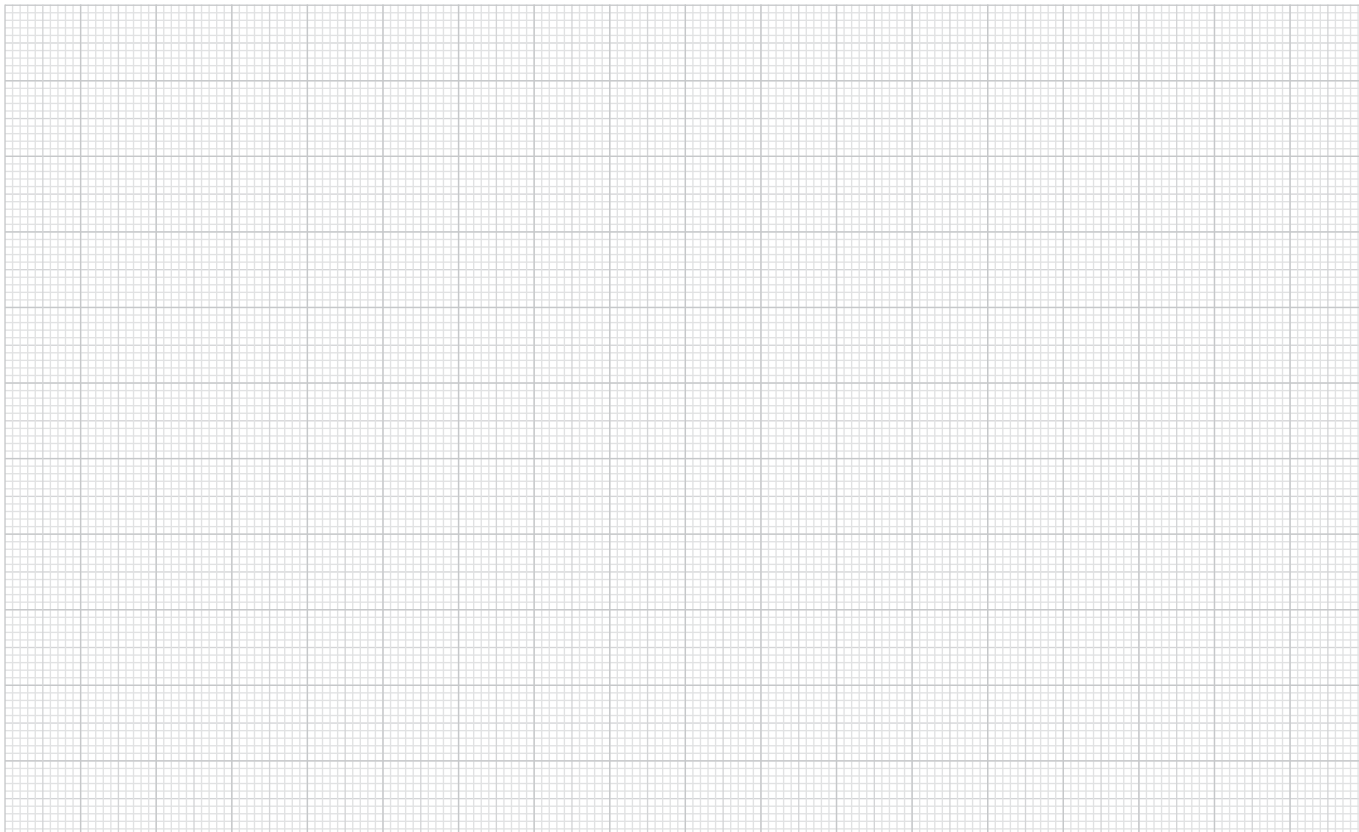
Sample order:
nlm 03060-10

Note:
These spring plungers are chiefly used as ejectors and spring stops in machine construction.



Order No.	D1	D2	D3	L1	L2	L3	H	Spring force initial pressure F1 approx. N	Spring force final pressure F2 approx. N	Approx. weight g
03060-08	8	3,95	10	24	3,2	8	4,5	30	90	8
03060-10	10	5,95	13	30	4	10	5,5	42	110	14
03060-12	12	7,95	16	36	5	12	6,5	50	130	26

Notes



01000
02000
03000
04000
05000
06000
07000
08000
09000
20000
21000
22000
23000