

Spring plungers

smooth surface, without collar, stainless steel



Material:

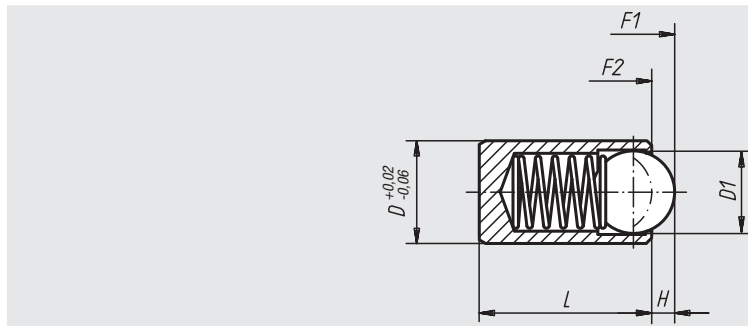
Sleeve, ball and spring in stainless steel.

Surface finish:

Ball hardened, natural finish.

Sample order:

nIm 03072-208



| Order No. | D | D1 | L | H | Spring force initial pressure F1 approx. N | Spring force final pressure F2 approx. N | Approx. weight g |
|-----------|----|----|----|------|--|--|------------------|
| 03072-203 | 3 | 2 | 7 | 0,65 | 5 | 7 | 0,32 |
| 03072-204 | 4 | 3 | 9 | 0,8 | 12 | 22 | 0,6 |
| 03072-205 | 5 | 4 | 12 | 1 | 19 | 30 | 1,2 |
| 03072-206 | 6 | 5 | 14 | 1,5 | 22 | 40 | 2,0 |
| 03072-208 | 8 | 6 | 16 | 1,8 | 42 | 73 | 4,8 |
| 03072-210 | 10 | 8 | 22 | 2,7 | 54 | 100 | 9,2 |
| 03072-212 | 12 | 10 | 24 | 3,2 | 54 | 122 | 14,5 |

Spring plungers

with head



Material:

Free cutting steel or stainless steel.

Surface finish:

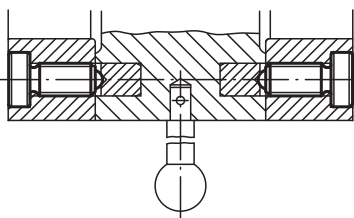
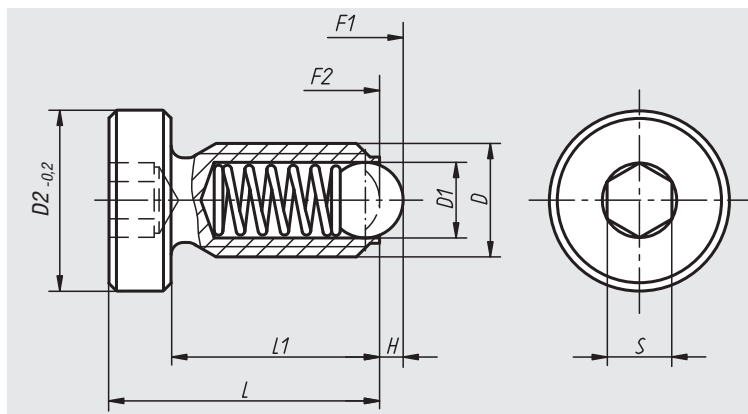
Steel black oxide finish.

Stainless steel natural finish.

Ball in steel or stainless steel, hardened, natural finish.

Sample order:

nIm 03073-10



| Order No. steel | Order No. stainless steel | D | D1 | D2 | L | L1 | H | S | Spring force initial pressure F1 approx. N | Spring force final pressure F2 approx. N | Approx. weight g |
|-----------------|---------------------------|-----|-----|----|----|----|-----|---|--|--|------------------|
| 03073-06 | 03073-061 | M6 | 3,5 | 10 | 16 | 12 | 1 | 3 | 9 | 13 | 4 |
| 03073-08 | 03073-081 | M8 | 5 | 13 | 21 | 16 | 1,5 | 4 | 15 | 30 | 9 |
| 03073-10 | 03073-101 | M10 | 6 | 16 | 26 | 20 | 2 | 5 | 20 | 35 | 17 |
| 03073-12 | 03073-121 | M12 | 8 | 18 | 32 | 25 | 2,5 | 6 | 30 | 55 | 28 |