

# Spring plungers

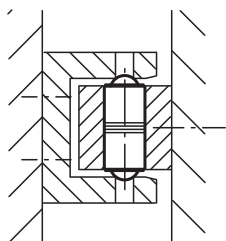
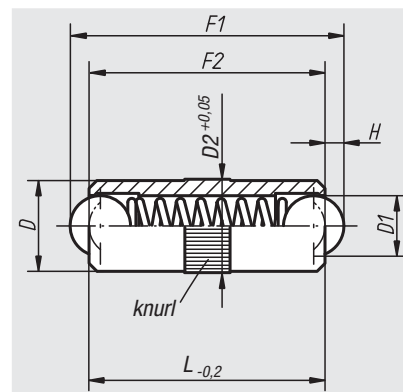
smooth surface, double-sided



**Material:**  
Sleeve in brass.  
Balls and spring in stainless steel.

**Surface finish:**  
Balls hardened, natural finish.

**Sample order:**  
nlm 03074-05



Order No.	D	D1	D2	L	H	Spring force initial pressure F1 approx. N	Spring force final pressure F2 approx. N	Approx. weight g
03074-04	4	3	4,05	10	0,9	3	7	0,7
03074-05	5	4	5,05	12	1,2	4	8	1,3
03074-06	6	5	6,05	16	1,6	6	10	2,4
03074-08	8	6	8,05	20	2	8	12	5,8
03074-10	10	8	10,05	24	2,9	10	16	10,5

## Notes

