

Double ball catch



Material:

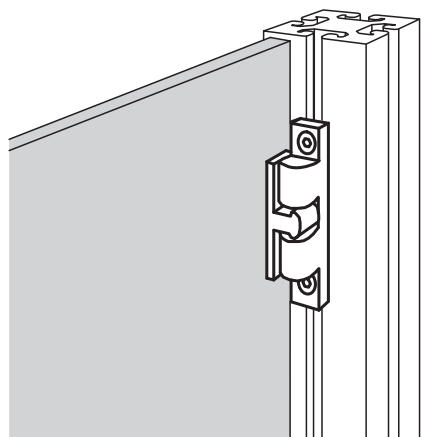
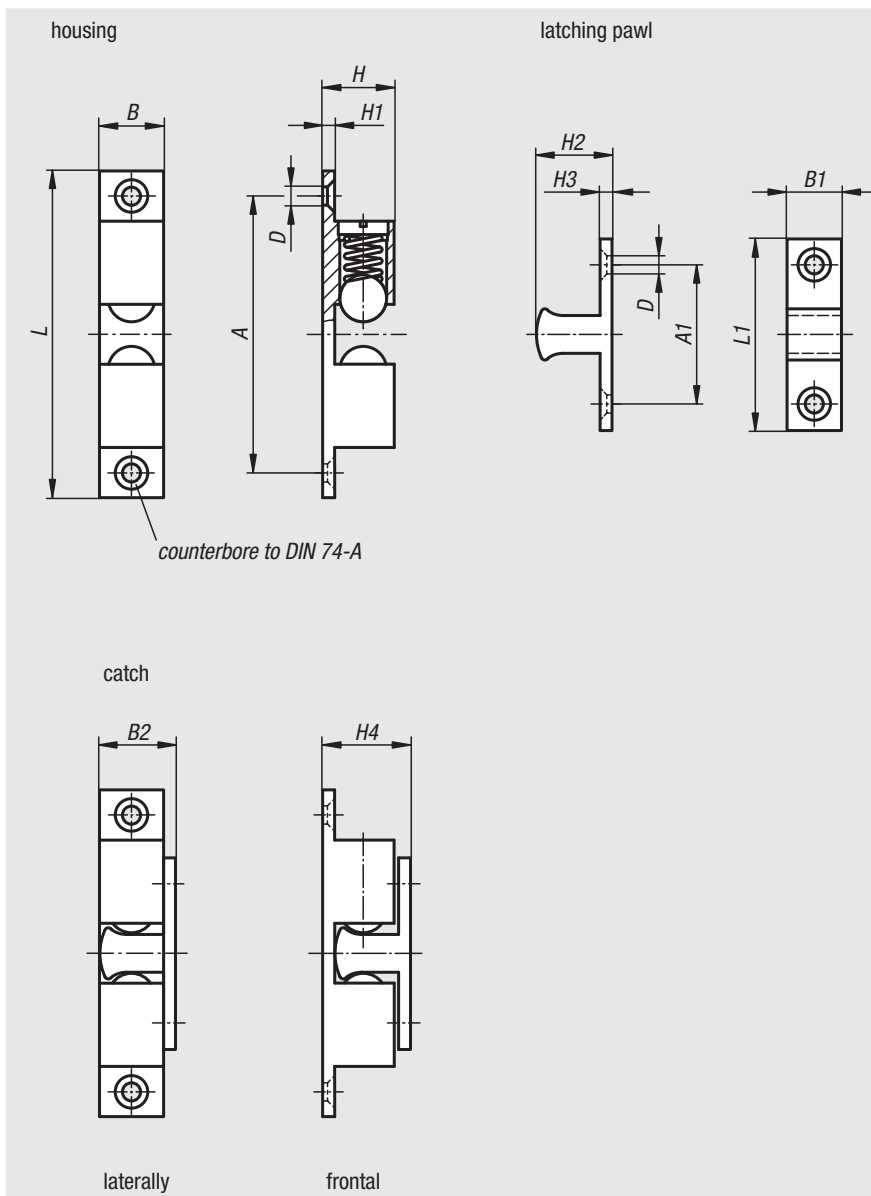
Housing and latching pawl in chromium-plated brass. Balls and springs in stainless steel.

Sample order:

nIm 03075-50

Note:

Quick closure for diverse applications such as holding doors, flaps and blinds shut. The double ball catch consists of a bush and an opposing piece, the latching pawl, which engages with the bush. The latching pawl can be pushed into the bush laterally or frontally. The engagement pressure is adjustable.



Order No.	A	A1	B	B1	B2	D	H	H1	H2	H3	H4	L	L1	Approx. weight kg
03075-50	39,8	19,8	8,8	7,6	10,8	3,8	10,6	2	11,2	2	13,2	49	28,8	0,024
03075-60	50	23,5	11	9	13,5	4,8	13,2	2,4	13,5	2,2	15,5	60	35	0,04
03075-70	58	30	13	12	15,2	4,8	15	2,4	15,7	2,2	18,1	68,4	40,2	0,065