

Straight bolts, remouveable

form A and C

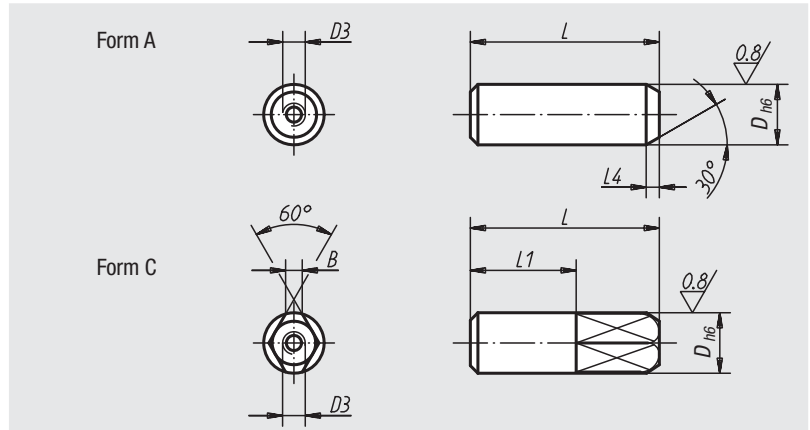


Material:
Tool steel

Surface finish:
hardened and ground (HRC 56 +2)

Sample order:
nlm 03105-12

Note:
Locating pins can be removed easily with an extractor



Order No. Form A	Order No. Form C	D	D3	L	L1	L4	B
03105-08	03105-082	8	M3	25	-/14	3/-	-/2,2
03105-10	03105-102	10	M3	30	-/17	3/-	-/3
03105-12	03105-122	12	M5	34	-/20	4/-	-/3,5
03105-16	03105-162	16	M5	42	-/26	4/-	-/5
03105-20	03105-202	20	M5	47	-/30	5/-	-/6
03105-25	03105-252	25	M5	49	-/30	5/-	-/8

Straight bolts, remouveable

form B and D

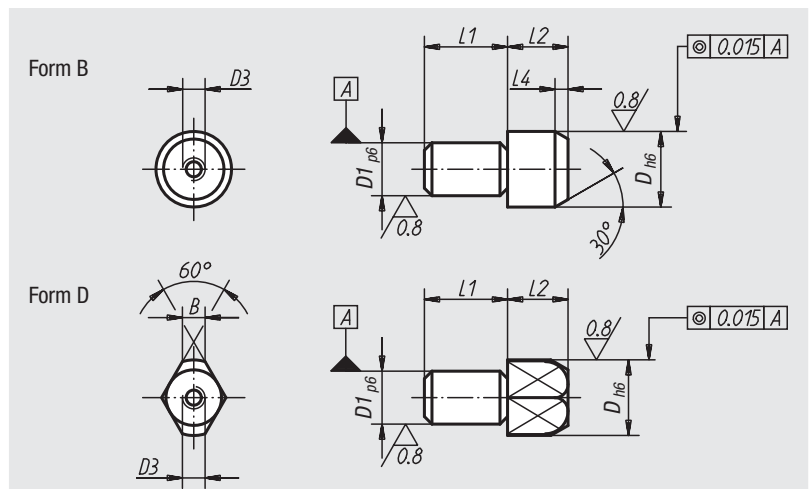


Material:
Tool steel

Surface finish:
hardened and ground (HRC 55-60).

Sample order:
nlm 03106-20

Note:
Locating pins can be removed easily with an extractor



Order No. Form B	Order No. Form D	D	D1	D3	L1	L2	L4	B
03106-10	03106-102	10	7	M3	11	11	3	-/3
03106-12	03106-122	12	8	M5	13	12	4	-/3,5
03106-16	03106-162	16	12	M5	18	14	4,5	-/5
03106-20	03106-202	20	14	M5	22	15	5	-/6
03106-22	03106-222	22	16	M5	22	17	5	-/7
03106-25	03106-252	25	18	M5	25	17	5	-/8

01000
02000
03000
04000
05000
06000
07000
08000
09000
20000
21000
22000
23000