

Straight bolts

with ball end form A



Material:

Tool steel or stainless steel 1.4305.

Surface finish:

Steel hardened and ground.

Stainless steel ground and kolsterised.

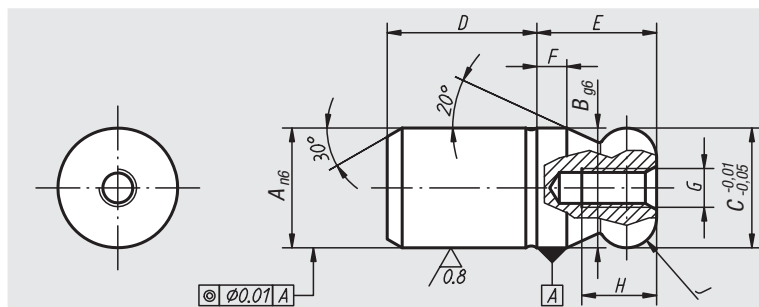
Sample order:

nIm 03107-12

Note:

Straight bolts with ball end facilitate mounting operations as they are specifically designed for this process.

The tendency to jam parts, also known as „drawer effect“, is caused by forces not effective in the bolt axis or by parts being mounted at a slanted angle. This tendency is minimized by the ball end and the ball incline (see also mounting illustration 03108 form B).



Order No. steel	Order No. stainless steel	A	B	C	D	E	F	G	H	J	Approx. weight kg
03107-08	03107-508	8	8	8	10	8	2	M3	6	R 2	0,006
03107-10	03107-510	10	10	10	13	10	2,5	M3	6	R 2,5	0,012
03107-12	03107-512	12	12	12	15	12	3	M4	8	R 3	0,021
03107-16	03107-516	16	16	16	20	16	4	M5	10	R 4	0,051
03107-20	03107-520	20	20	20	25	20	5	M5	10	R 5	0,101
03107-25	-	25	25	25	25	25	6	M5	10	R 6	0,176
03107-30	-	30	30	30	30	30	8	M6	12	R 8	0,307
03107-40	-	40	40	40	40	40	10	M6	12	R 10	0,729
03107-50	-	50	50	50	50	50	12	M6	12	R 12	1,422

Straight bolts

with flattened ball end form C



Material:

Tool steel or stainless steel 1.4305.

Surface finish:

Steel hardened and ground.

Stainless steel ground and kolsterised.

Sample order:

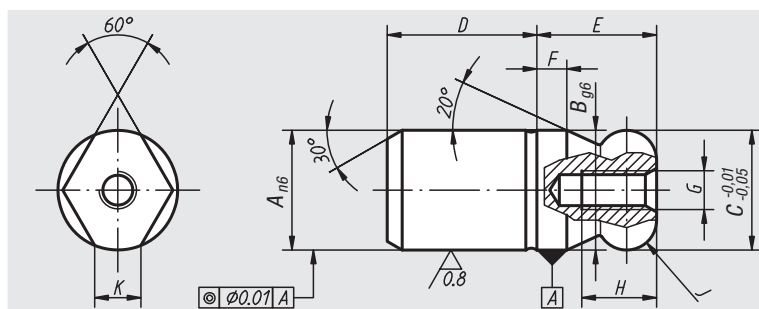
nIm 03107-162

Note:

Straight bolts with ball end facilitate mounting operations as they are specifically designed for this process.

The tendency to jam parts, also known as „drawer effect“, is caused by forces not effective in the bolt axis or by parts being mounted at a slanted angle.

This tendency is minimized by the ball end and the ball incline (see also mounting illustration 03108 form B).



Order No. steel	Order No. stainless steel	A	B	C	D	E	F	G	H	J	K	Approx. weight kg
03107-082	03107-5082	8	8	8	10	8	2	M3	6	R 2	1,9	0,005
03107-102	03107-5102	10	10	10	13	10	2,5	M3	6	R 2,5	2,5	0,011
03107-122	03107-5122	12	12	12	15	12	3	M4	8	R 3	2,5	0,017
03107-162	03107-5162	16	16	16	20	16	4	M5	10	R 4	4,3	0,044
03107-202	03107-5202	20	20	20	25	20	5	M5	10	R 5	5	0,088
03107-252	-	25	25	25	25	25	6	M5	10	R 6	5,6	0,149
03107-302	-	30	30	30	30	30	8	M6	12	R 8	8,8	0,270
03107-402	-	40	40	40	40	40	10	M6	12	R 10	12,8	0,657
03107-502	-	50	50	50	50	50	12	M6	12	R 12	16,7	1,243