

Straight bolts

with ball end form B



Material:

Tool steel or stainless steel 1.4305.

Surface finish:

Steel hardened and ground.

Stainless steel ground and kolsterised.

Sample order:

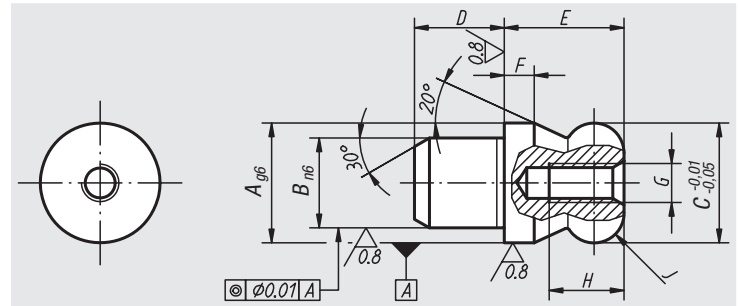
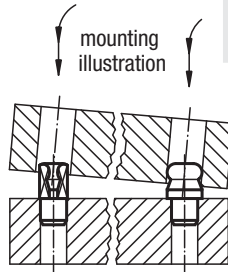
nIm 03108-20

Note:

Straight bolts with ball end facilitate mounting operations as they are specifically designed for this process.

The tendency to cant parts, also known as „drawer effect“, is caused by forces not effective in the bolt axis or by parts being mounted at a slanted angle.

This tendency is minimized by the ball end and the ball incline (see mounting illustration).



Order No. steel	Order No. stainless steel	A	B	C	D	E	F	G	H	J	Approx. weight kg
03108-10	03108-510	10	7	10	7	10	2,5	M3	6	R 2,5	0,007
03108-12	03108-512	12	8	12	8	12	3	M4	8	R 3	0,011
03108-16	03108-516	16	12	16	12	16	4	M5	10	R 4	0,030
03108-20	03108-520	20	14	20	14	20	5	M5	10	R 5	0,057
03108-22	-	22	16	22	16	22	5,5	M5	10	R 5,5	0,079
03108-25	-	25	18	25	18	25	6	M5	10	R 6	0,116

Straight bolts

with flattened ball end form D



Material:

Tool steel or stainless steel 1.4305.

Surface finish:

Steel hardened and ground.

Stainless steel ground and kolsterised.

Sample order:

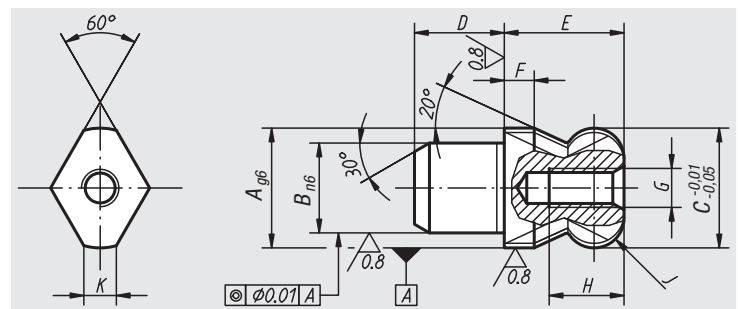
nIm 03108-162

Note:

Straight bolts with ball end facilitate mounting operations as they are specifically designed for this process.

The tendency to jam parts, also known as „drawer effect“, is caused by forces not effective in the bolt axis or by parts being mounted at a slanted angle.

This tendency is minimized by the ball end and the ball incline (see also mounting illustration 03108 form B).



Order No. steel	Order No. stainless steel	A	B	C	D	E	F	G	H	J	K	Approx. weight kg
03108-102	03108-5102	10	7	10	7	10	2,5	M3	6	R 2,5	2,5	0,005
03108-122	03108-5122	12	8	12	8	12	3	M4	8	R 3	2,5	0,008
03108-162	03108-5162	16	12	16	12	16	4	M5	10	R 4	4,3	0,023
03108-202	03108-5202	20	14	20	14	20	5	M5	10	R 5	5	0,045
03108-222	-	22	16	22	16	22	5,5	M5	10	R 5,5	5	0,062
03108-252	-	25	18	25	18	25	6	M5	10	R 6	5,6	0,091