

Centring pins

for central hole

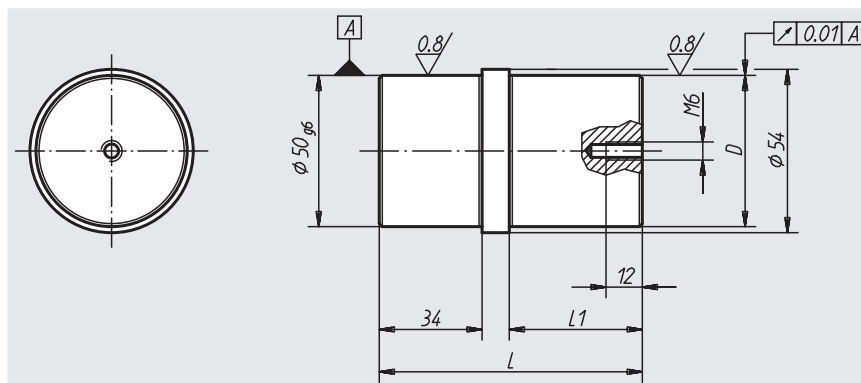


Material:
Steel

Surface finish:
Case-hardened;
fitting diameter ground

Sample order:
nlm 03110-5025

Note:
Centring pins for central holes are suitable for basic elements 01148, 01263, 01265, 01267 and 01850.



Order No.	D	L	L1	Approx. weight kg
03110-5025	25 g6	77	34	0,810
03110-5030	30 h6	87	44	0,920
03110-5050	50 g6	87	44	1,355

Centring pins

for aligning hole

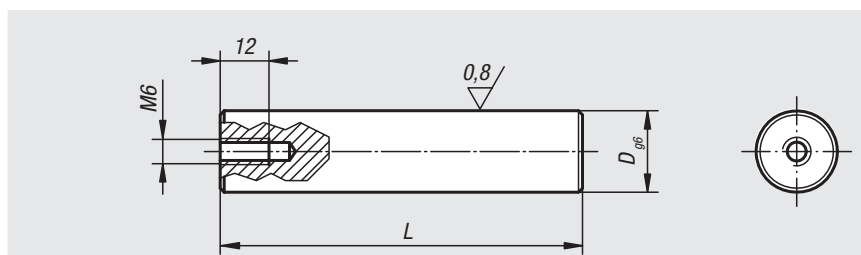


Material:
Steel

Surface finish:
Case-hardened;
fitting diameter ground

Sample order:
nlm 03112-25125

Note:
Centring pins for aligning holes are suitable for basic elements 01263, 01265 and 01850.



Order No.	D	L	Approx. weight kg
03112-20075	20	75	0,180
03112-20089	20	89	0,215
03112-25125	25	125	0,477