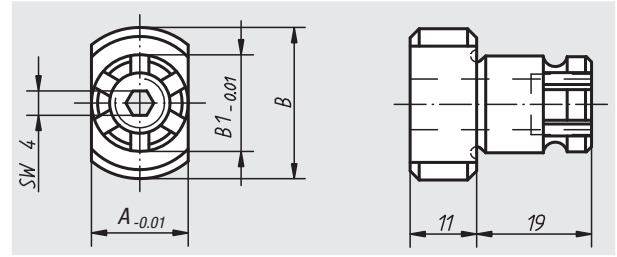


# Locating bolts spread type


**Material:**

Tempered steel.

**Surface finish:**

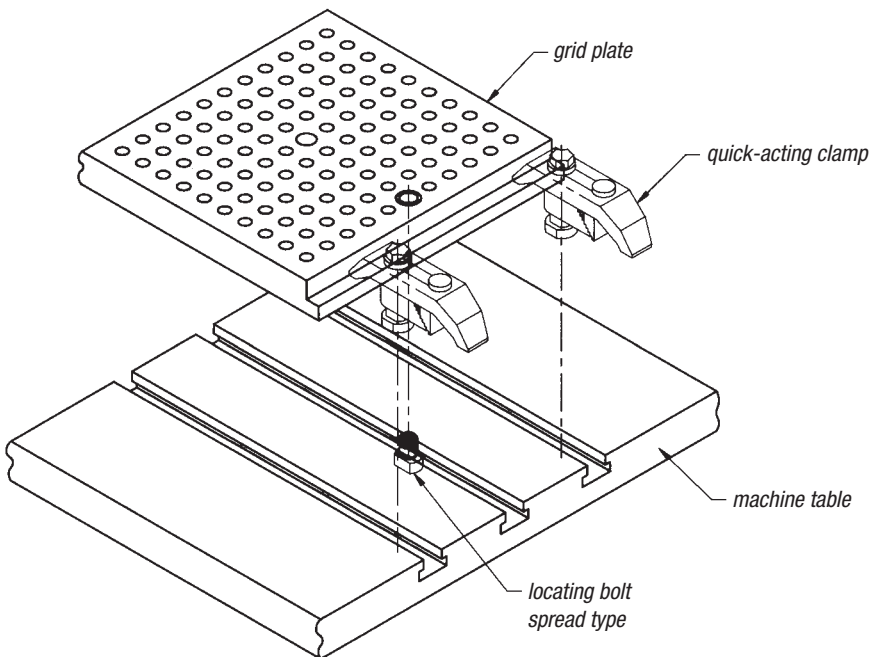
Heat-treated and black oxide finish.  
Locating diameter and guide surfaces ground.

**Sample order:**

nIm 03151-16016

**Note:**

With the aid of spread type locating bolts for example, grid plates can be positioned on machine tables with T-slots (see illustration). The plates to be positioned must have two holes matching the spread type shaft. The continuous hexagonal socket in the spread type screw allows operation from two sides.



Order No.	A	B	B1	Approx. weight kg
03151-12016	12	25	16	0,040
03151-14016	14	25	16	0,050
03151-16016	16	25	16	0,050
03151-18016	18	29	16	0,050
03151-20016	20	29	16	0,060
03151-22016	22	29	16	0,060
03151-24020	24	35	20	0,240
03151-28020	28	35	20	0,280
03151-32020	32	40	20	0,320