

# Ball tensioner

with moving ball



**Material:**

Set screw and ball made of steel

**Surface finish:**

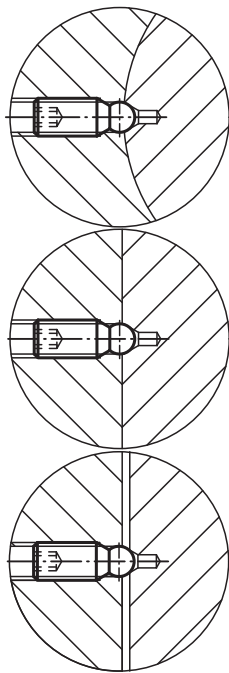
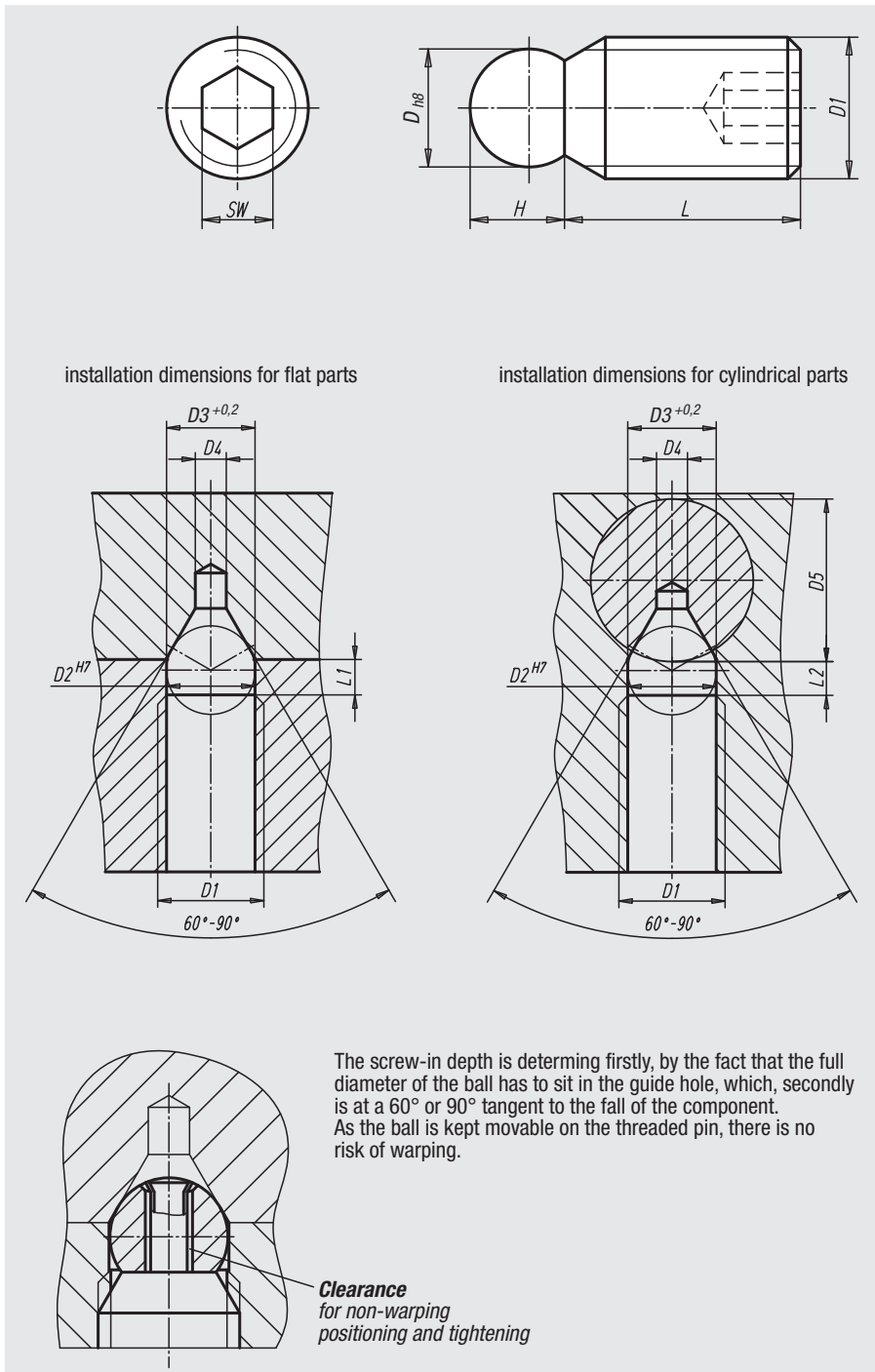
Set screw, black oxide finish;  
ball hardened

**Sample order:**

nIm 03159-05010

**Note:**

Bearing-mount, align and tension cylindrical and flat parts, dies, moulds, axes, and shafts, etc., with a movable ball.



Order No.	D	D1	D2	D3	D4 max.	D5 min.	H	L	L1	L2	SW	Approx. weight kg
03159-05010	4	M 5	4	4	1,6	10	3,3	10	1,7	1,5	2,5	0,001
03159-08014	6	M 8	6	6	2	14	5	14	2,5	2	4	0,004
03159-12020	10	M12	10	10	3,5	20	8	20	4	3	6	0,014