

Precision locking bolts

with tapered support



Material:

Steel.
Grip ball thermoplastic.

Surface finish:

Hardened and ground.
Grip ball anthracite grey.

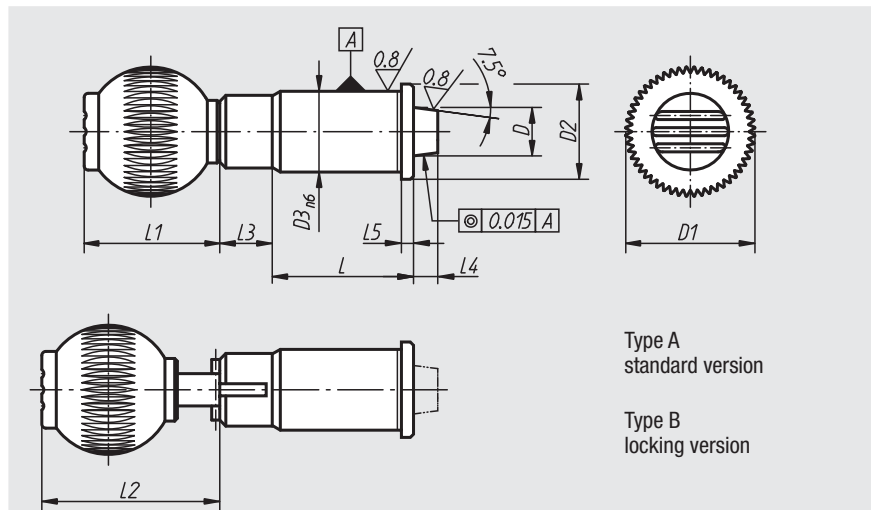
Sample order:

nIm 03182-020

Note:

The locking bolts with sleeves are a perfect combination for rapid positioning and fixing. The precise finish of both the locking bolt and the sleeve guarantees high repeating accuracy when assembling two elements.

Technical Information see assembly and installation instructions.



Order No. Type A	Order No. Type B	D	D1	D2	D3	L	L1	L2	L3	L4 min.	L5	Spring force initial pressure F1 approx. N	Spring force final pressure F2 approx. N	Internal thread Grip Ball	Approx. weight kg
03182-010	03182-110	10	25	19	16	31	25	-/32,5	13	6	2,5	19	29	M6	0,067
03182-012	03182-112	12	32	23	20	35	33	-/40,5	13	6	3	22	35	M8	0,127
03182-016	03182-116	16	40	28	25	42	41,5	-/49	13	6	3	30	50	M10	0,221
03182-020	03182-120	20	40	33	30	50	41,5	-/49	13	6	3	46	63	M10	0,350
03182-025	03182-125	25	50	42	38	60	51	-/58,5	13	6	3	39	73	M10	0,655

Tapered sleeves



Material:

Steel.

Surface finish:

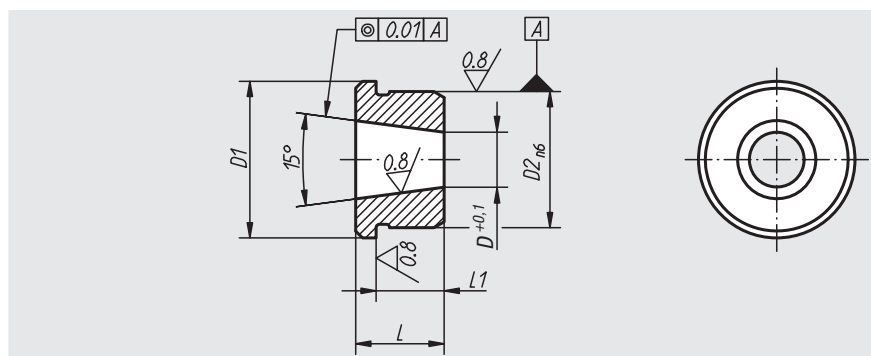
Hardened and ground.

Sample order:

nIm 03184-20

Note:

Sleeves suitable for precision locking bolts 03182.



Order No.	D	D1	D2	L	L1	Approx. weight kg
03184-10	7,1	19	16	11	8,5	0,013
03184-12	8,28	23	20	13	10	0,021
03184-16	11,52	28	25	17	14	0,048
03184-20	15,49	33	30	16	13	0,056
03184-25	19,7	42	38	19	16	0,115