

Precision locking bolts

with cylindrical support



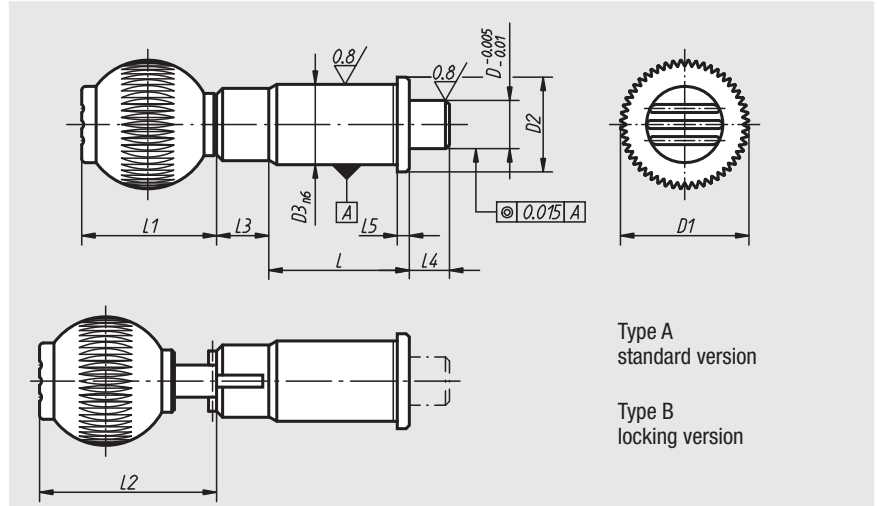
Material:
Steel.
Grip ball thermoplastic.

Surface finish:
Hardened and ground.
Grip ball anthracite grey.

Sample order:
nlm 03186-020

Note:
The locking bolts with sleeves are a perfect combination for rapid positioning and fixing. The precise finish of both the locking bolt and the sleeve guarantees high repeating accuracy when assembling two elements.

Technical Information see assembly and installation instructions.



Order No. Type A	Order No. Type B	D	D1	D2	D3	L	L1	L2	L3	L4 min.	L5	Spring force initial pressure F1 approx. N	Spring force final pressure F2 approx. N	Internal thread Grip Ball	Approx. weight kg
03186-010	03186-110	10	25	19	16	31	25	-/36,5	13	10	2,5	15	30	M6	0,067
03186-012	03186-112	12	32	23	20	35	33	-/44,5	13	10	3	15	35	M8	0,127
03186-016	03186-116	16	40	28	25	42	41,5	-/53	13	10	3	20	50	M10	0,221
03186-020	03186-120	20	40	33	30	50	41,5	-/53	13	10	3	36	63	M10	0,350
03186-025	03186-125	25	50	42	38	60	51	-/62,5	13	10	3	20	73	M10	0,655

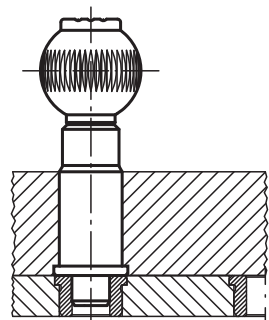
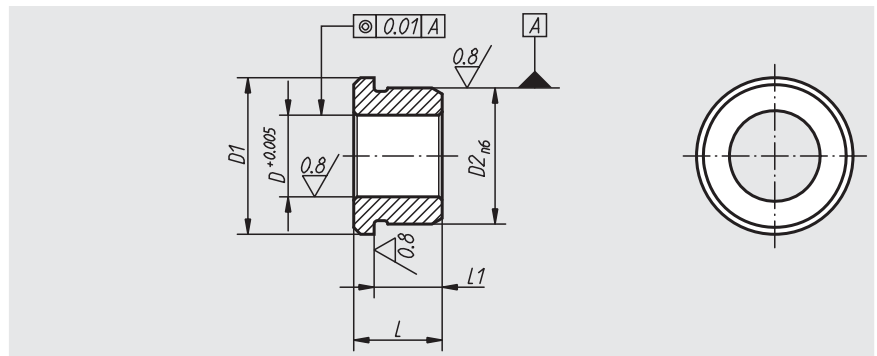
Cylindrical sleeves



Material:
Steel.
Surface finish:
Hardened and ground.

Sample order:
nlm 03188-20

Note:
Sleeves suitable for precision locking bolts 03186.



Order No.	D	D1	D2	L	L1	Approx. weight kg
03188-10	10	19	16	11	8,5	0,012
03188-12	12	23	20	13	10	0,015
03188-16	16	28	25	17	14	0,041
03188-20	20	33	30	16	13	0,045
03188-25	25	42	38	19	16	0,100

01000
02000
03000
04000
05000
06000
07000
08000
09000
20000
21000
22000
23000