

03199

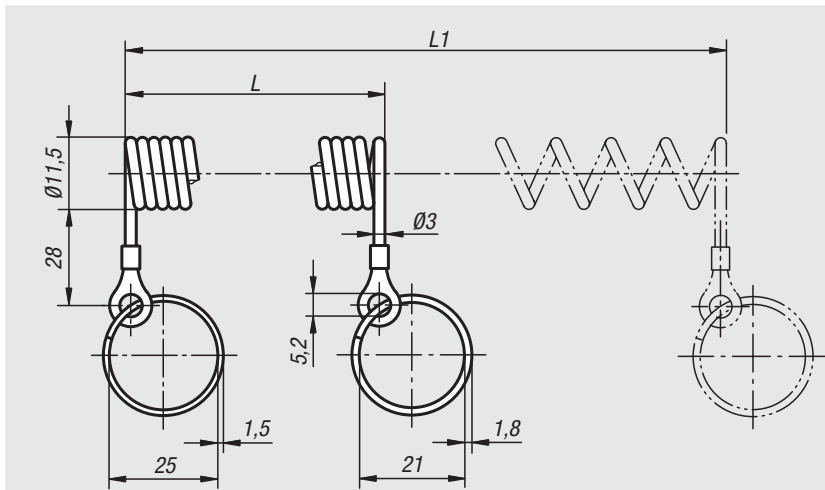
Safety helix cable



Material, surface finish:
 Copper litz wire coated in PUR, black.
 Eye in galvanized copper.
 Key ring in steel, chromium-plated.

Sample order:
 nlm 03199-10200

Note:
 Elastic helix cable to secure equipment parts. Very good reset force, robust and wear-resistant.



Order No.	L	L1
03199-10200	200	1000

03199

Restraining cables

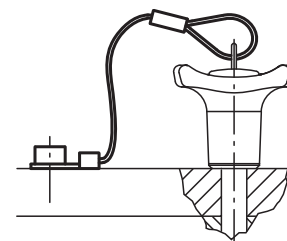
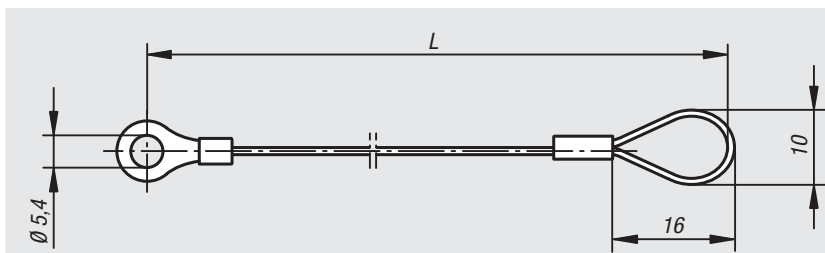
with eye



Material, surface finish:
 Stainless steel restraining cable with plastic casing.
 Clip and eye in aluminium.

Sample order:
 nlm 03199-0200

Note:
 With the restraining cable and pin ring (03199) the ball lock pins (03193, 03194 and 03196) can be secured so that they cannot be lost. A screw M5 is used to secure the retaining cable.
 Application temperature: +80 °C.



Order No.	L
03199-0150	150
03199-0200	200
03199-0300	300