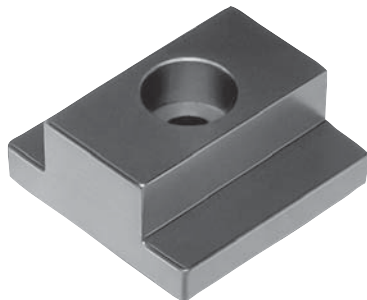


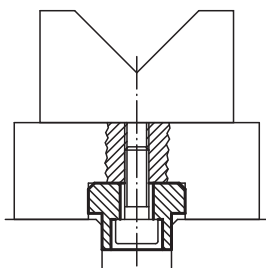
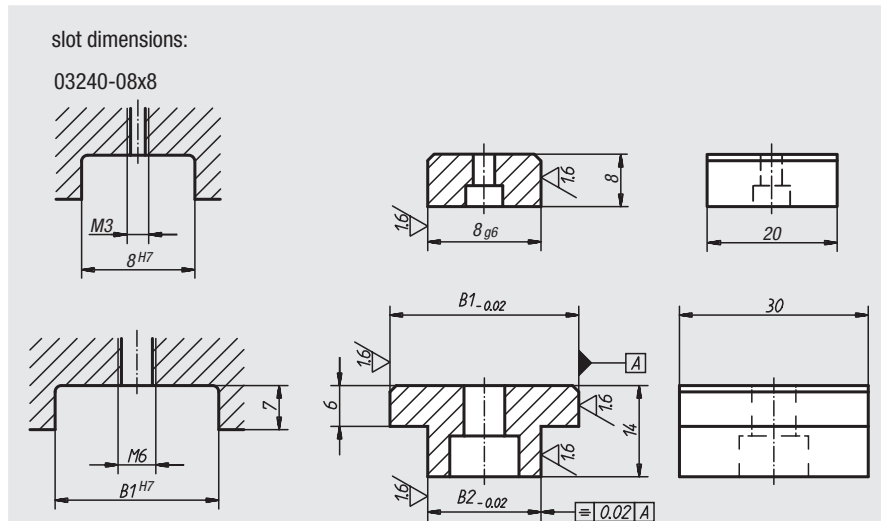
T-slot guide nuts



Material:
Tempered steel 1.1191

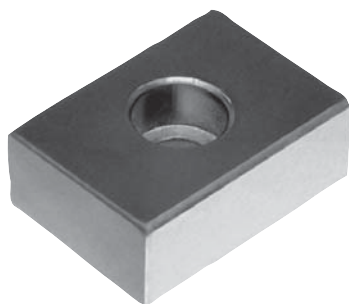
Surface finish:
Black oxide finish

Sample order:
nlm 03240-08X8 (Please also indicate dimension B1)



Order No.	B1	B2
03240-08X	8	8
03240-12X	20/22/30	12
03240-14X	20/22/30	14
03240-16X	20/22/30	16
03240-18X	20/22/30	18
03240-22X	20/22/30	22

T-slot nuts



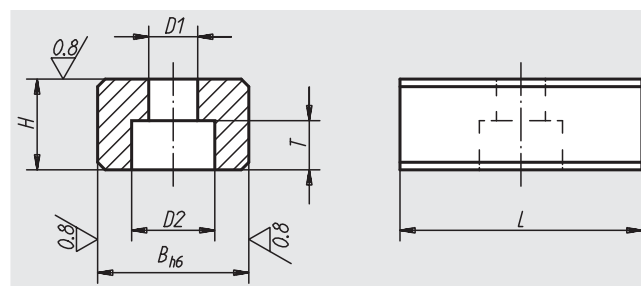
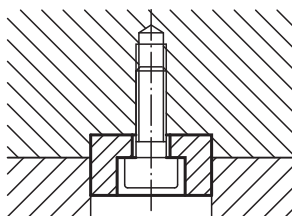
Material:
Hardened steel

Surface finish:
Case-hardened; black oxide finish and ground

Sample order:
nlm 03250-16

Note:
T-slot nuts are used to align devices and chucks on machine-tool tables that have T-slots pursuant to DIN 650. They are screwed into the alignment slots of the devices. T-slot nuts are suitable if the devices are fitted to machines with the same width of slot.

application example:



Order No.	B	H	L	D1	D2	T	For DIN 84 or DIN 912 screws	Approx. weight g
03250-10	10	8	20	4,5	8	4,3	M4x10	10
03250-12	12	8	20	5,5	10	5,3	M5x12	12
03250-14	14	10	22	6,6	11	6,3	M6x16	18
03250-16	16	10	22	6,6	11	6,3	M6x16	22
03250-18	18	10	22	6,6	11	6,3	M6x16	25
03250-20	20	10	22	6,6	11	6,3	M6x16	28
03250-22	22	12	32	6,6	11	6,3	M6x16	55