

## Free slot nuts

DIN 6323



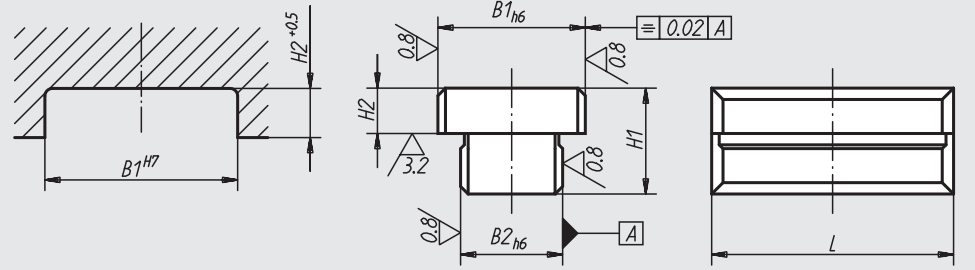
**Material:**  
Hardened steel 1.0401

**Surface finish:**  
Case-hardened; black oxide finish and ground

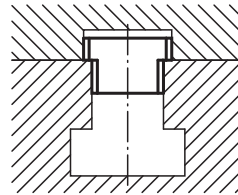
**Sample order:**  
nlm 03260-14

**Note:**  
Free slot nuts 03260 pursuant to DIN 6323 combine the advantages of the fixed slot nuts with the improved handling of pivoted vices, part apparatus and devices. After rough alignment, these slot nuts are inserted laterally.  
When the device is transported, none of the slot nuts projecting downwards get in the way and the machine-tool table cannot be damaged.

slot dimensions:



application example:



Order No.	B1	B2	H1	H2	L	Approx. weight kg
03260-10	12	10	12	3,6	20	0,020
03260-12	20	12	14	5,5	32	0,050
03260-14	20	14	14	5,5	32	0,055
03260-16	20	16	14	5,5	32	0,060
03260-18	20	18	14	5,5	32	0,065

## T-slot nuts

with cylindrical fixture

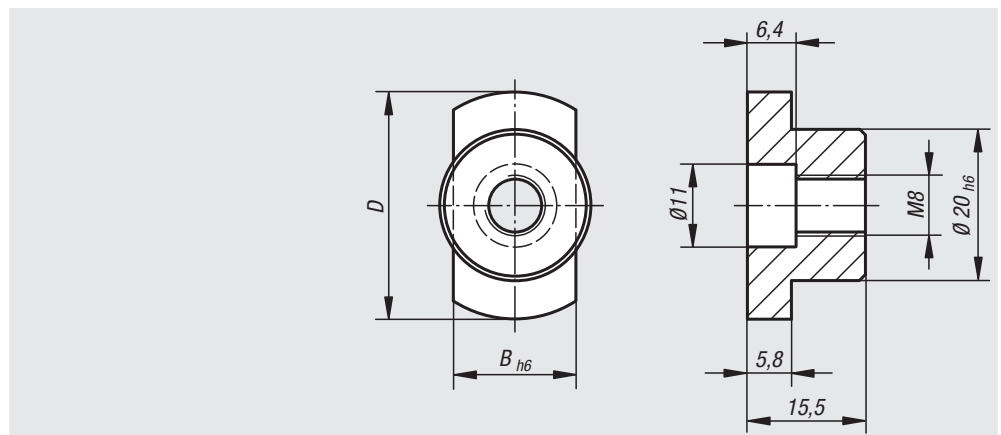


**Material:**  
Hardened steel

**Surface finish:**  
Case-hardened, black oxide finish and ground

**Sample order:**  
nlm 03270-10

**Note:**  
For the alignment of jigs and tension devices on support plates and palettes with cylindrical aligning holes. They can be used in drillholes, as well as in slots.



Order No.	B	D	Approx. weight kg
03270-10	10	30	0,036
03270-12	12	30	0,038
03270-14	14	30	0,041
03270-16	16	30	0,043
03270-18	18	30	0,045
03270-20	20	36	0,056
03270-22	22	40	0,062

