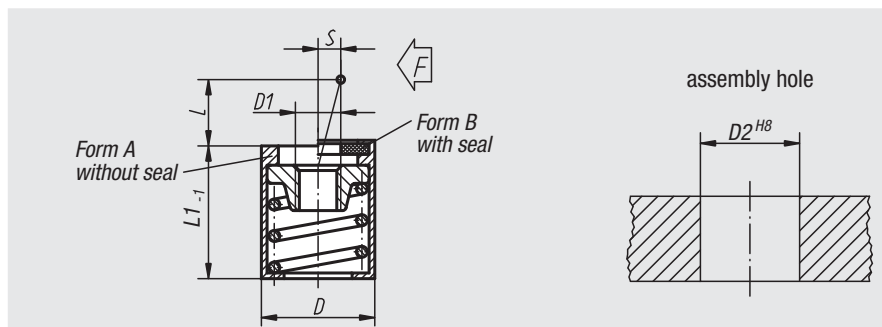


# Lateral spring plungers

without pressure pin



## Material:

Sleeve in aluminium.

Receiving washer in steel, hardened and black oxide finish.

Spring in steel.

## Surface finish:

Sleeve blue galvanized.

## Sample order:

nIm 03332-31058

## Note:

Depending on the circumstances, the pressure pin can be fabricated by the customer and screwed into the threaded hole of the receiving washer.

Utilizing stroke (S) and the corresponding length (L), lateral pressure (F) can be achieved.

In addition, form B is equipped with a seal to prevent chips and dirt from entering.

Order No. Form A	Order No. Form B	D	D1	D2	L	L1	S	F approx.N	Approx. weight kg
03332-31054	03332-32054	10	M4	10	4	12	1,6	20	0,004
03332-31056	03332-32056	10	M4	10	4	12	1,6	50	0,004
03332-31058	03332-32058	10	M4	10	4	12	1,6	100	0,004
03332-31064	03332-32064	10	M4	10	7,5	12	2	40	0,004
03332-31066	03332-32066	10	M4	10	7,5	12	2	75	0,004
03332-31068	03332-32068	10	M4	10	7,5	12	2	150	0,004
03332-31104	03332-32104	16	M6	16	11,5	18	3,2	100	0,010
03332-31106	03332-32106	16	M6	16	11,5	18	3,2	200	0,010
03332-31108	03332-32108	16	M6	16	11,5	18	3,2	300	0,010